

# PRODUCT CATALOGUE.



**#lightbuilders**

***Li*GH*T*4<sup>U</sup>**



# WE ARE LIGHTBUILDERS.

At Light4U, we have been building high-quality lighting solutions since 2004. For customers who have been with us from the very beginning. For new partners. For relationships in places as diverse as Dubai, Dokkum and Dublin. Whatever your challenge is, we can build light for you. With the same dedication as back then, but now with limitless possibilities.

*#lightbuilders*

# MANUAL.

Thank you for using this product catalogue.

For a visual overview of all our luminaires, based on category, please go to our Index on pages 8 and 9.

Our luminaires can be equipped with numerous options. We indicate these with icons. An explanation of the icons is available on pages 12 and 13.

You will find a QR code with each product description. Use the photo function on your smartphone to go directly to the detailed product specifications on our website. Here you will find article numbers, extensive datasheets, installation manuals and other technical documents.



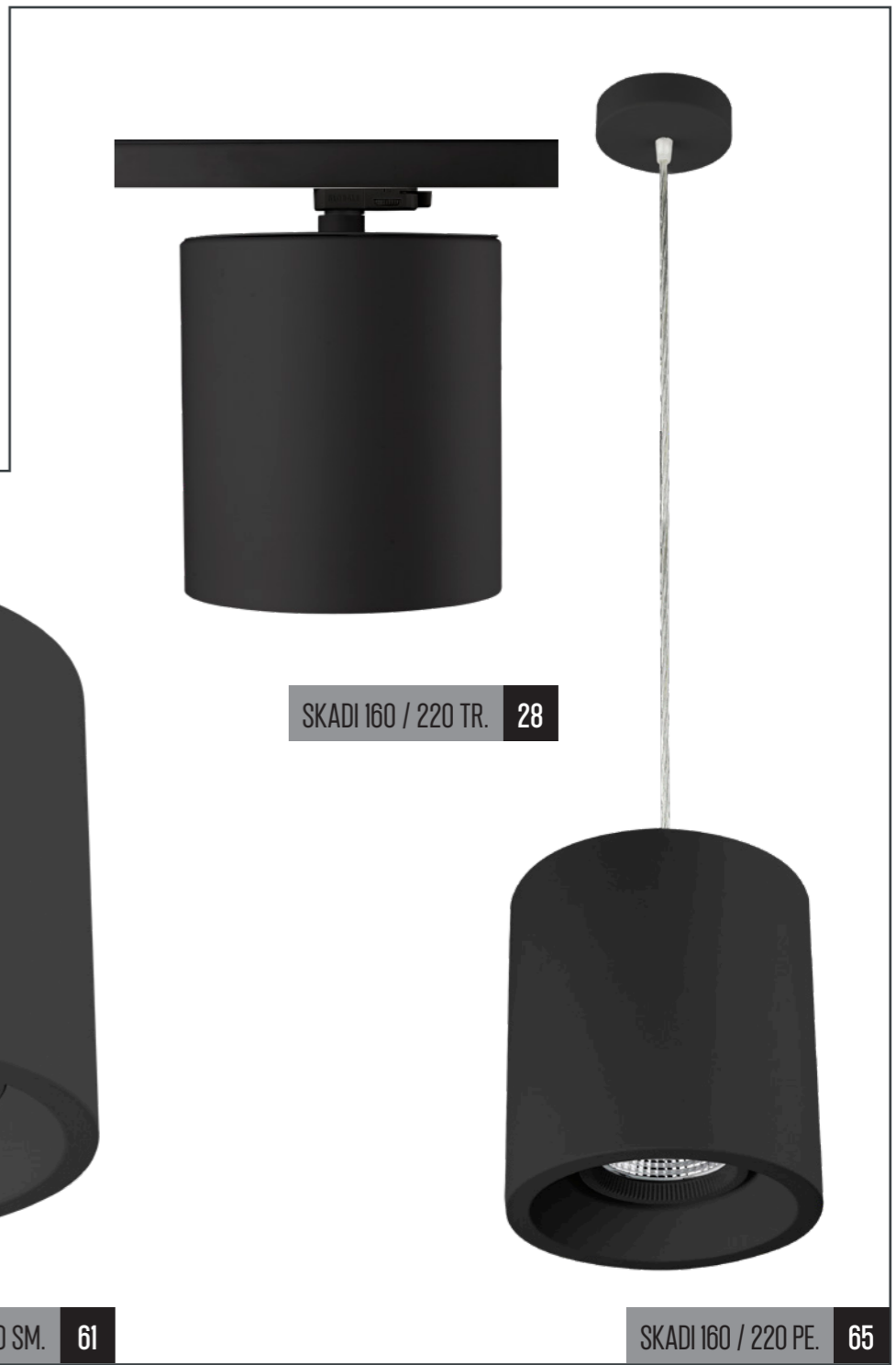
EDDA S. 17



TUBE L. 23



FULLA L. 37



SKADI 160 / 220 TR. 28



SKADI 160 / 220 SM. 61



SKADI 160 / 220 PE. 65



WORLD 200. 49



HUGINN R. 19


























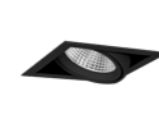








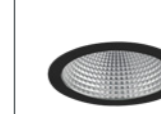
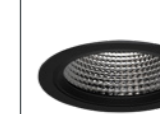
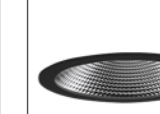




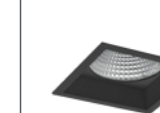
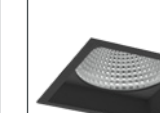











CHALLENGE 60X60. 71



CHALLENGE 120X30. 71

# INDEX.

<b>TRACK LUMINAIRES.</b> FROM PAGE 14	 EDDA S. 17	 EDDA M. 17	 EDDA L. 18	 EDDA L HE. 18
 HUGINN R. 19	 YMIR. 20	 TUBE L. 23	 TUBE R. 23	 SURT. 24
 THOR. 25	 BURI. 26	 SKADI 160 TR. 29	 SKADI 220 TR. 29	 NANNA S TR. 31
 NANNA L TR. 31	 Forsite 865 TR. 33	 Forsite 1150 TR. 33	<b>RECESSED LUMINAIRES.</b> FROM PAGE 34	 FULLA S. 37
 FULLA L. 37	 SANA. 39	 SANA HE. 39	 EDDA REC. 40	 NIMROD. 42

 CARDAN S ONE. 45	 CARDAN S ONE HE. 45	 CARDAN S TWO. 46	 CARDAN S TWO HE. 46	 CARDAN S THREE. 47	 CARDAN S THREE HE. 47
 NANNA S BI. 51	 NANNA L BI. 51	 WORLD 180. 53	 WORLD 200. 53	 WORLD 225. 54	 WORLD 260. 54
 BALDR S. 57	 BALDR L. 57	 CIMBRI. 59	 CIMBRI HE. 59	 FENRIR S. 63	 FENRIR L. 63
<b>SURFACE LUMINAIRES.</b> FROM PAGE 64	 SKADI 160 SM. 67	 SKADI 220 SM. 67	<b>PENDANT LUMINAIRES.</b> FROM PAGE 68	 Skadi 160 PE. 71	 Skadi 220 PE. 71
 BRYAN PENDANT ALU. 73	 BRYAN PENDANT CLEAR. 73	<b>LED PANELS.</b> FROM PAGE 74	 CHALLENGE 60X60. 77	 CHALLENGE 120X30. 77	
<b>LED PANEL ACCESSORIES.</b> FROM PAGE 78	 CHALLENGE SUSPENSION SET. 78	 CHALLENGE 60X60 SURFACE MOUNTED FRAME. 78	 CHALLENGE 120X30 SURFACE MOUNTED FRAME. 79		

Please take notice: All rated values @ ambient temperature of 25° C. Electric and photometric values are initially subject to a tolerance of +/- 10%. Tolerance of color temperature +/- 150K. Technical data can change without prior notice. The technical specification of the dimming versions (DALI, Phase-Cut) can vary depending on the specifications or limits of the used driver.

# FUTUREPROOF.

Professional lighting gets smarter every day. With higher efficiency, smaller sizes, less weight, better installation options and many different intelligent control options there is always something new to highlight your project.

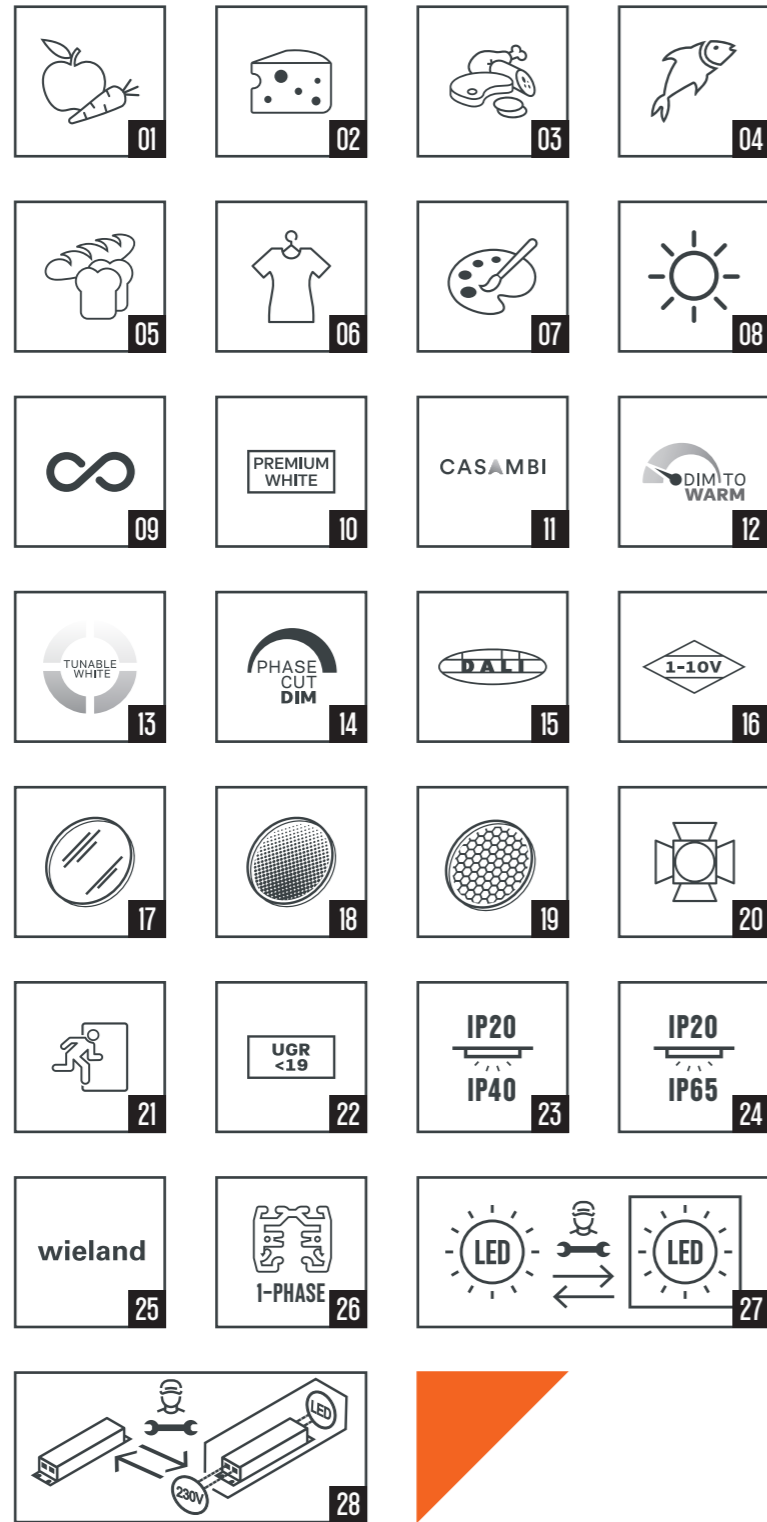
Perfect illumination helps to sell more products in retail. It defines the atmosphere in hotels and restaurants. It increases the ability to concentrate in offices and schools. And it can help professionals to do their job better.

Human-centric lighting also proves to be valuable in retirement homes, childcare centres and homes. It can have a positive influence on not only performance, mood and cognition, but also on our day and night rhythm.

Including all these aspects in your lighting plan makes your solution futureproof and sustainable. We would be happy to help you choose the right components. The icons on next page indicate the options you can choose, to make each fixture perfectly suited for your project.

If you need personal advice, please don't hesitate to contact us.

# ICONS.



**01** Accentuates the freshness of fruit and vegetables. **02** Warm yellowish light gives a perfect appearance to cheese and other dairy products. **03** Fresh and cooked meats have a saturated red color under this light. A boost of red for the meat counter. **04** Bluish white light promotes freshness of fish and seafood. **05** This light color has a light brown tinge to give an oven-fresh appearance to crusty bakery products. **06** Optimized light spectrum for perfect fashion presentation. **07** The average value of the Art series is an impressive CRI 98. MacAdam 2 ellipses are used in this special product category, to provide an outstanding colour consistency. **08** Spectral LED matches natural light over the visible spectrum. **09** Infinity LED: Human-centric lighting allows autonomic control of CCT. With a high CRI >90 and a tight initial colour tolerance of 1 step MacAdam. Create a wide range of colours (through the combinations of different LED's) for spectacular lighting scenes or mood illumination. **10** For spot and accent lighting in fashion, retail, hospitality and supermarket applications. **11** Wireless lighting control based on Bluetooth. **12** Dim to a warmer colour from 3000K to 1800K for creating the right atmosphere. **13** Light colour from 2700K to 6500K to set an individual colour temperature. Used for wellbeing (daylight simulation) and for increasing the performance in offices and workshops. **14** Phase-cut dimming. **15** Digital dimming interface. **16** Analog dimming interface. **17** The clear glass is protecting the light source and reflector from dust and other dirt that could enter the optical part of the luminaire. **18** Frosted glass protects the light source and reflector from dust and dirt. It also widens the beam and creates a different footprint. **19** Honeycombs are widely used to reduce the direct glare. Luminaires with honeycombs have usually a tighter beam. **20** Shape the light by using barn doors. Two side flaps closed together produce a slim light shape, all four doors closed together will produce a square focussed beam of light. **21** Built-in emergency unit for escape route lighting. **22** Unified Glare Rating < 19, suitable for reading, writing, training, meetings and PC based working environments. **23** Ingress Protection 40: protected against solid objects, not watertight from optical side. **24** Ingress Protection 65: dustproof and protected from water spray from optical side. **25** Type of power distribution specially developed for the connection of lighting cables above the ceiling. **26** Also suitable for 1-phase track. **27** Replaceable (LED only) light source by a professional. **28** Replaceable control gear by a professional.



# TRACK

---

# LUMINAIRES.

---



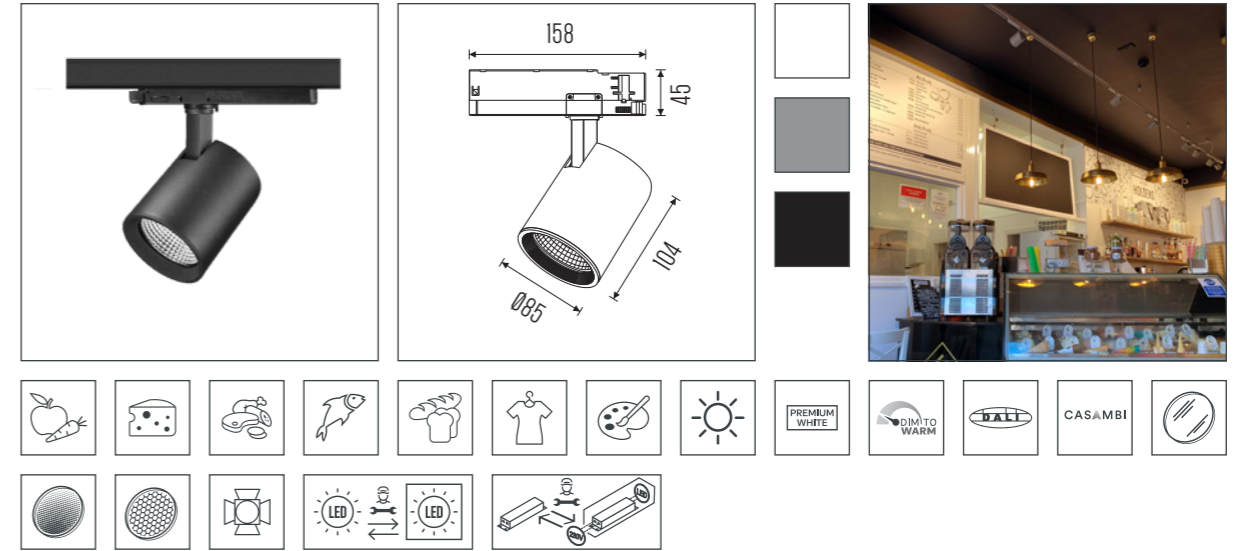
# EDDA.



## COMPACT AND DISTINCTIVE.


If you are a fan of compact luminaires, the Edda spotlight is perfect for you. The design of this adjustable 3-phase track spot is really distinctive, with the incorporated driver installed into the Nordic track adapter. You can choose from three sizes and a wide range of light colours and accessories, which makes Edda popular in shops, showrooms and hospitality establishments.

## EDDA S.

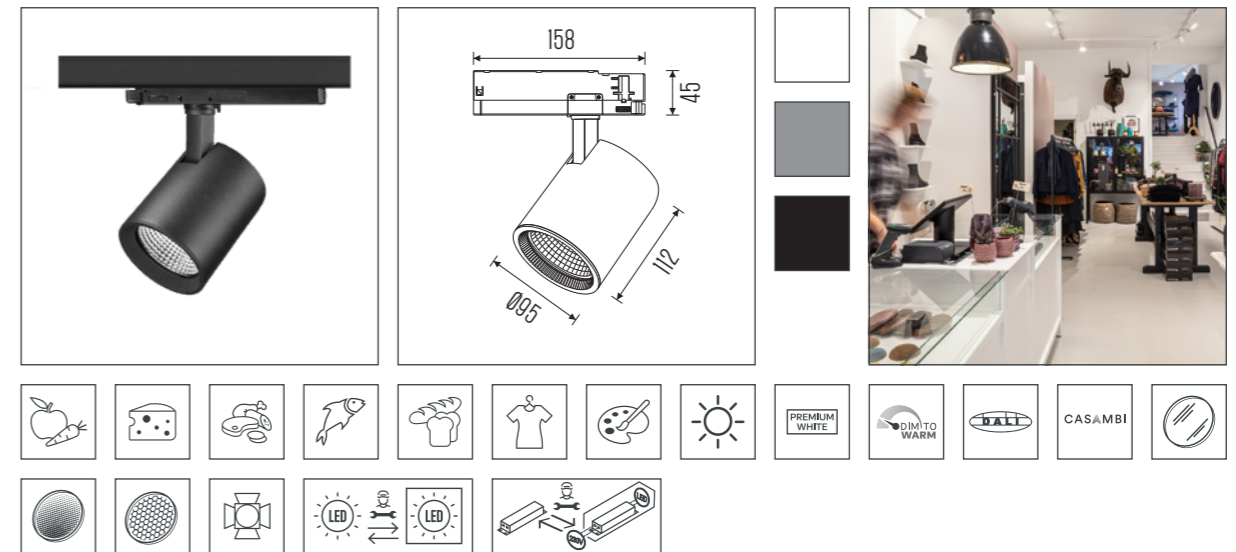


Adjustability	: 350° rotational and 90° tiltable	Optic	: Facet anodized aluminum reflector 15°, 24°, 45°, 55°
CCT	: 2700K - 5700K	Mains voltage	: 220-240V / 50-60Hz
CRI	: (RA) >90, (RA) >97, (RA) >80	Max. ambient temperature	: 35°C
Chromaticity tolerance	: 3	Ingress protection	: IP20
Luminous flux	: max. 2500Lm	Net. weight	: 0.65Kg
Connected load	: max. 18.5W	Warranty	: 5 years
System efficiency	: max. 130Lm/W		
Electrical Safety Class	: Class II		

[Go to full specs](#)




## EDDA M.

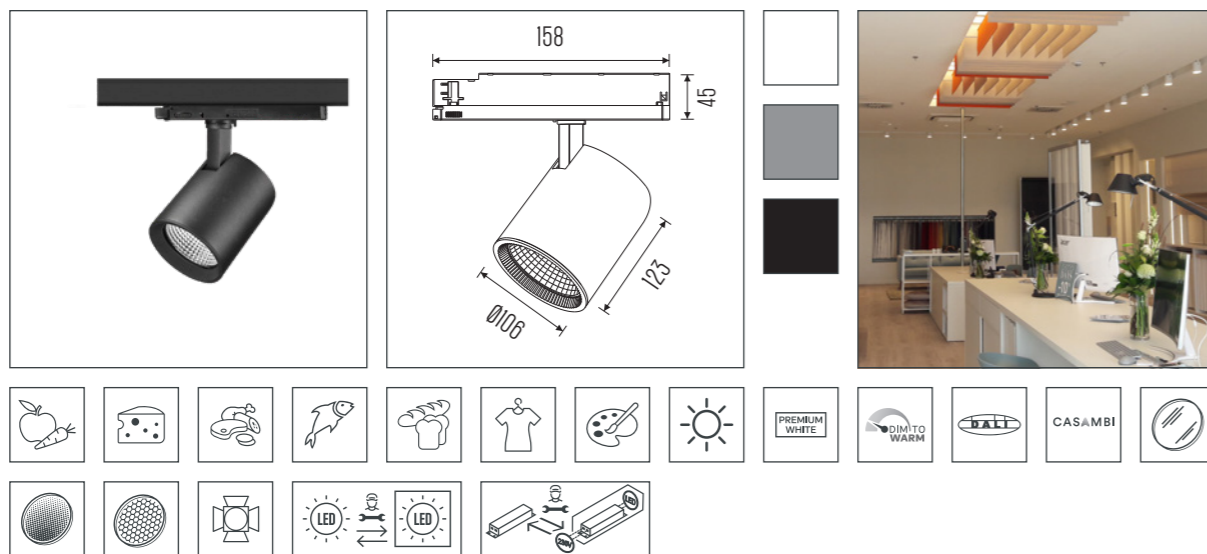


Adjustability	: 350° rotational and 90° tiltable	Optic	: Facet anodized aluminum reflector 15°, 30°, 45°, 55°
CCT	: 2700K - 5700K	Mains voltage	: 220-240V / 50-60Hz
CRI	: (RA) >90, (RA) >97, (RA) >80	Max. ambient temperature	: 35°C
Chromaticity tolerance	: 3	Ingress protection	: IP20
Luminous flux	: max. 3500Lm	Net. weight	: 0.85Kg
Connected load	: max. 30W	Warranty	: 5 years
System efficiency	: max. 130Lm/W		
Electrical Safety Class	: Class II		

[Go to full specs](#)



## EDDA L.



Adjustability	: 350° rotational and 90° tiltable	Optic	: Facet anodized aluminum reflector 15°, 30°, 45°, 60°
CCT	: 2700K - 5700K	Mains voltage	: 220-240V / 50-60Hz
CRI	: (RA) >90, (RA) >97, (RA) >80	Max. ambient temperature	: 35°C
Chromaticity tolerance	: 3	Ingress protection	: IP20
Luminous flux	: max. 4500Lm	Net. weight	: 1.00Kg
Connected load	: max. 38.5W	Warranty	: 5 years
System efficiency	: max. 135Lm/W		
Electrical Safety Class	: Class II		

Go to full specs



## HUGINN R.

A universal 3-phase track spot suitable for every retail project. The driver is incorporated in the Nordic track adapter, which makes it more stylish. The Huginn is available in a choice of CCT, dim-to-warm (3000K-1800K), Spectral LED, special colours for retail use, reflectors and various accessories.



Adjustability	: 350° rotational and 90° tiltable	Optic	: Facet anodized aluminum reflector 25°, 30°, 36°, 50°, 60°
CCT	: 2700K - 5700K	Mains voltage	: 220-240V / 50-60Hz
CRI	: (RA) >90, (RA) >97, (RA) >80	Max. ambient temperature	: 35°C
Chromaticity tolerance	: 3	Ingress protection	: IP20
Luminous flux	: max. 3150Lm	Net. weight	: 0.90Kg
Connected load	: max. 30W	Warranty	: 5 years
System efficiency	: max. 127Lm/W		
Electrical Safety Class	: Class II		

Go to full specs

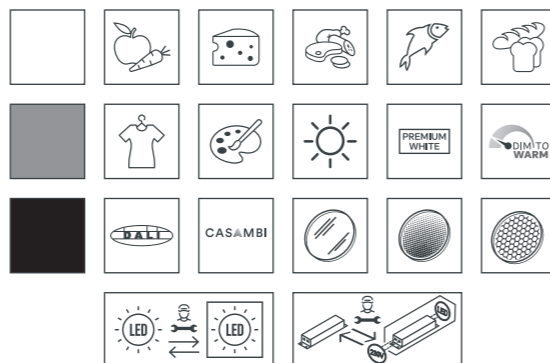
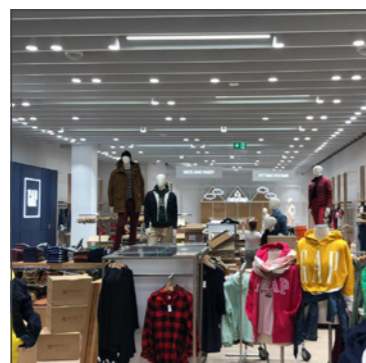
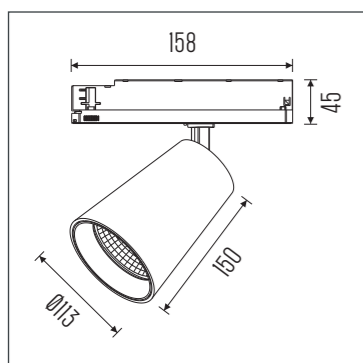


# YMIR.

More compact, without comprising on the output and light image. The Ymir is a 3-phase track spotlight equipped with the latest technologies and is adjustable to every setting in retail, showroom, hospitality and utility applications. Choose from different light colours, CRI, control options, beam angles and accessories.



TRACK LUMINAIRES



Adjustability	: 350° rotational and 65° tiltable	Optic	: Facet anodized aluminum reflector
CCT	: 2700K - 5700K		: 15°, 30°, 45°, 60°
CRI	: (RA) >90, (RA) >97, (RA) >80	Mains voltage	: 220-240V / 50-60Hz
Chromaticity tolerance	: 3	Max. ambient temperature	: 35°C
Luminous flux	: max. 4500Lm	Ingress protection	: IP20
Connected load	: max. 38.5W	Net. weight	: 0.92Kg
System efficiency	: max. 135Lm/W	Warranty	: 5 years
Electrical Safety Class	: Class II		

Go to full specs

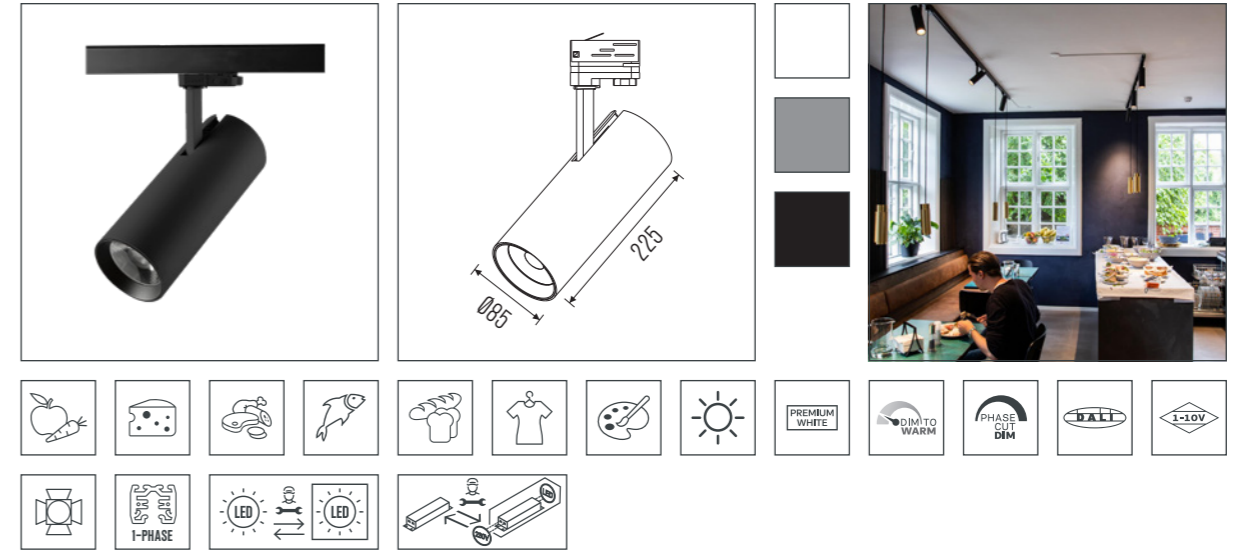


COLOR CABINETS | SHOWROOM

# TUBE.




## TUBE L.

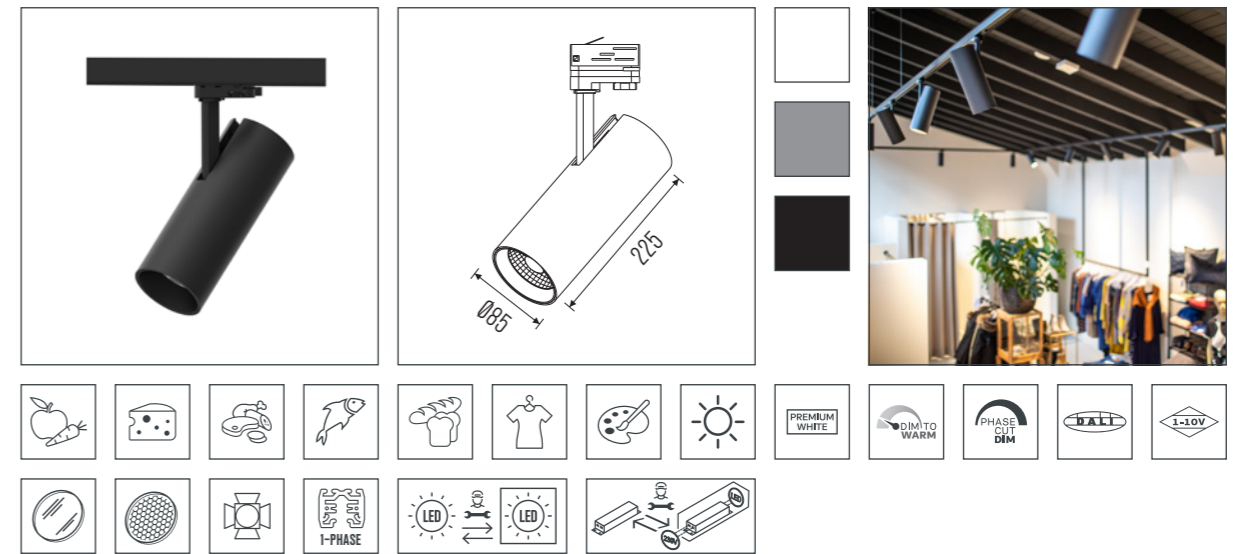


Adjustability	: 350° rotational and 90° tiltable	Optic	: Lens 15°, 24°, 36°
CCT	: 2700K - 5700K	Mains voltage	: 220-240V / 50-60Hz
CRI	: (RA) >90, (RA) >97, (RA) >80	Max. ambient temperature	: 35°C
Chromaticity tolerance	: 3	Ingress protection	: IP20
Luminous flux	: max. 3000Lm	Net. weight	: 1.10Kg
Connected load	: max. 30W	Warranty	: 5 years
System efficiency	: max. 121 Lm/W		
Electrical Safety Class	: Class I		

[Go to full specs](#)




## TUBE R.



Adjustability	: 350° rotational and 90° tiltable	Optic	: Facet anodized aluminum reflector 15°, 30°, 45°
CCT	: 2700K - 5700K	Mains voltage	: 220-240V / 50-60Hz
CRI	: (RA) >90, (RA) >97, (RA) >80	Max. ambient temperature	: 35°C
Chromaticity tolerance	: 3	Ingress protection	: IP20
Luminous flux	: max. 3500Lm	Net. weight	: 1.10Kg
Connected load	: max. 30W	Warranty	: 5 years
System efficiency	: max. 136Lm/W		
Electrical Safety Class	: Class I		

[Go to full specs](#)



## VERSATILITY IS THE KEY.

Versatility characterises the Tube. Grab the attention of customers by choosing special versions to highlight the colours of what you want to put in the spotlight. This makes this 3-phase track spot perfect for retail establishments, boutiques, museums, showrooms and supermarkets. And, in addition to that, the various dimming and control options also makes the railspot a great solution for the hospitality industry.

# SURT.

This 3-phase track spot is a permanent fixture in flexible lighting plans. The step-less adjustable beam angle from 15° to 60° and the possibility of dimming within a range of 10-100% (with a potentiometer on the rear) gives you the freedom to choose the light level without any control system. Perfect for use at trade fairs, exhibitions or in your shop windows.



Adjustability	: 355° rotational and 90° tiltable	Optic	: Zoom Lens 15°-60°
CCT	: 3000K	Mains voltage	: 220-240V / 50-60Hz
CRI	: (RA) >90	Max. ambient temperature	: 35°C
Chromaticity tolerance	: 3	Ingress protection	: IP20
Luminous flux	: max. 2150Lm	Net. weight	: 1.10Kg
Connected load	: 29W	Warranty	: 5 years
System efficiency	: max. 74Lm/W	Details	: Direct Potentiometer Dimming
Electrical Safety Class	: Class I		



# THOR.

The Thor is the basis for endless possibilities in illumination. A powerful and strong 3-phase track spotlight with extensive control options. Select the light colours, light control system and accessories you need to create the right conditions for your office, showroom or retail establishment. Even tunable white is possible.



Adjustability	: 350° rotational and 90° tiltable	Optic	: Facet anodized aluminum reflector
CCT	: 2700K - 5700K		15°, 30°, 45°, 60°
CRI	: (RA) >90, (RA) >97, (RA) >80	Mains voltage	: 220-240V / 50-60Hz
Chromaticity tolerance	: 3	Max. ambient temperature	: 35°C
Luminous flux	: max. 4500Lm	Ingress protection	: IP20
Connected load	: max. 38.5W	Net. weight	: 0.96Kg
System efficiency	: max. 137Lm/W	Warranty	: 5 years
Electrical Safety Class	: Class I		

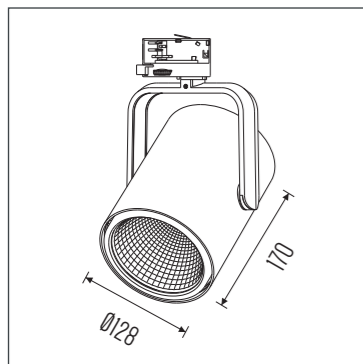


# BURI.

This robust, industrial 3-phase track spot has a wide range of applications. It gives you the option to use it at different installation heights or even directly on the wall with the fix point GA 70. This makes the Buri perfect for use in stores, showrooms, supermarkets, petrol stations and banks.



TRACK LUMINAIRES



Adjustability	: 350° rotational and 90° tiltable	Optic	: Facet anodized aluminum reflector
CCT	: 2700K - 5700K		: 15°, 30°, 45°, 60°
CRI	: (RA) >90, (RA) >97, (RA) >80	Mains voltage	: 220-240V / 50-60Hz
Chromaticity tolerance	: 3	Max. ambient temperature	: 35°C
Luminous flux	: max. 4500Lm	Ingress protection	: IP20
Connected load	: max. 38.5W	Net. weight	: 1.80Kg
System efficiency	: max. 137Lm/W	Warranty	: 5 years
Electrical Safety Class	: Class I		

Go to full specs



#LIGHTBUILDERS | 3D PROTOTYPING

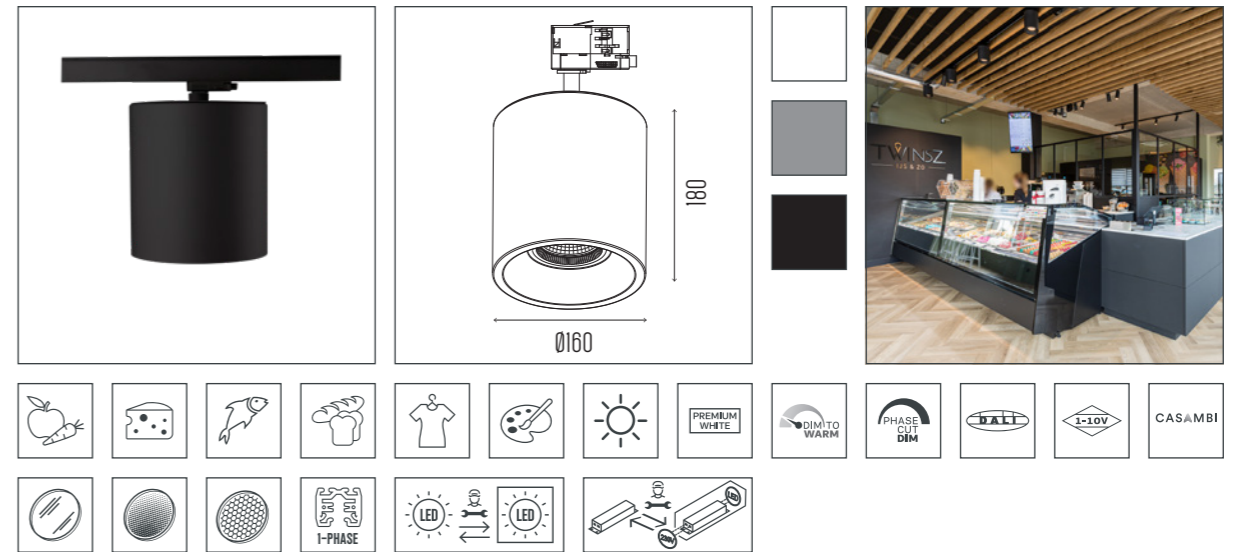
# SKADI TR.



## REACHING YOUR GOAL.


This is the 3-phase track version of the surface mounted downlight Skadi. Thanks to a wide selection of lighting techniques, light colours (retail colours, spectral LED and infinity LED), optics, accessories and mounting options, Skadi can be used for many different lighting purposes. The dimming and control options, such as dim to warm, tunable white, Casambi and Dali help create the right ambience at any time of the day.

## SKADI 160 TR.

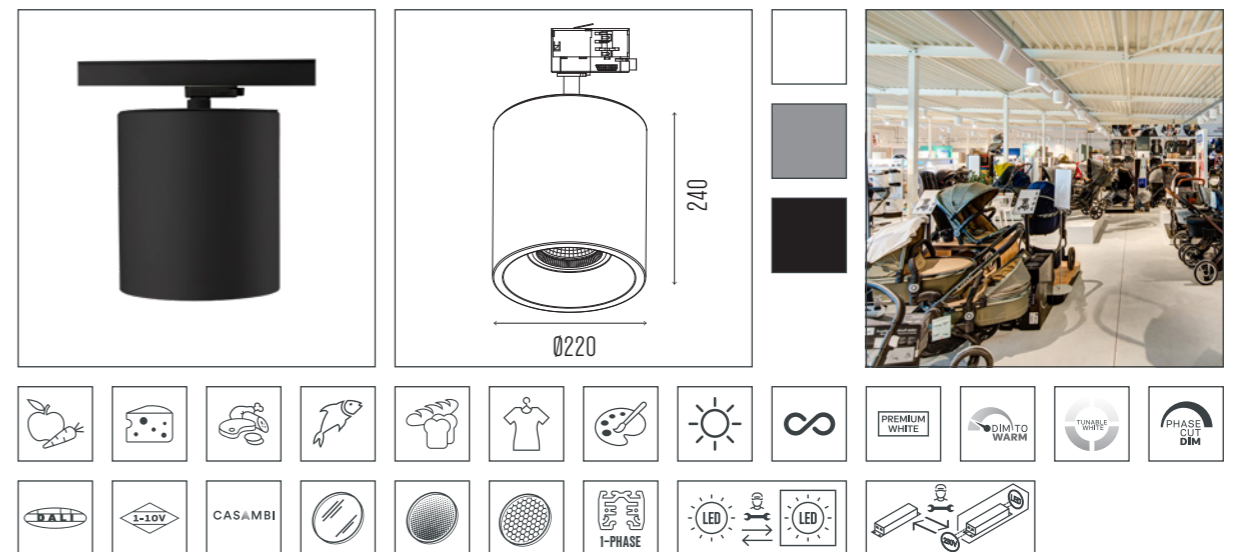


CCT	: 2700K - 5700K	Optic	: Facet anodized aluminum reflector 15°, 30°, 45°, 55°
CRI	: (RA) >90, (RA) >97, (RA) >80	Mains voltage	: 220-240V / 50-60Hz
Chromaticity tolerance	: 3	Max. ambient temperature	: 35°C
Luminous flux	: max. 2500Lm	Ingress protection	: IP20
Connected load	: max. 18.5W	Net. weight	: 1.20Kg
System efficiency	: max. 137Lm/W	Warranty	: 5 years
Electrical Safety Class	: Class I	On request	: 1-Phase

[Go to full specs](#)




## SKADI 220 TR.



CCT	: 2700K - 5700K	Optic	: Facet anodized aluminum reflector 15°, 30°, 45°, 60°
CRI	: (RA) >90, (RA) >97, (RA) >80	Mains voltage	: 220-240V / 50-60Hz
Chromaticity tolerance	: 3	Max. ambient temperature	: 35°C
Luminous flux	: max. 4500Lm	Ingress protection	: IP20
Connected load	: max. 38.5W	Net. weight	: 1.70Kg
System efficiency	: max. 137Lm/W	Warranty	: 5 years
Electrical Safety Class	: Class I		

[Go to full specs](#)





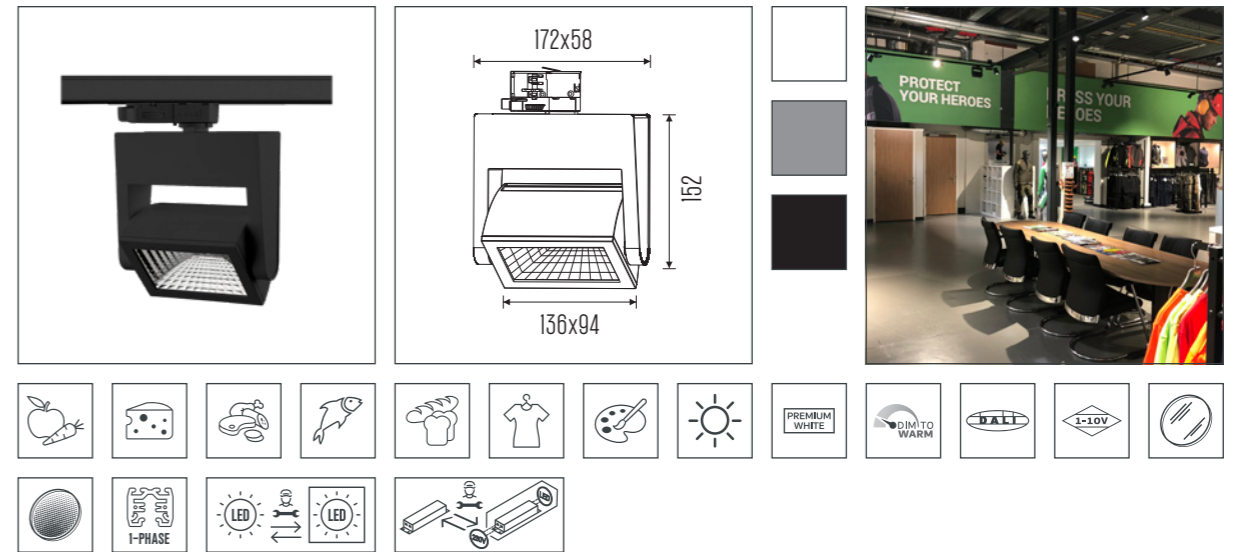
# NANNA TR.



## BRINGING OBJECTS TO LIFE.


The Nanna brings objects to life. This adjustable 3-phase track wall washer has a wide beam, which makes it perfect for illuminating products on shelves. Choose the right light colour and control options and present your products in the most attractive way possible.

## NANNA S TR.

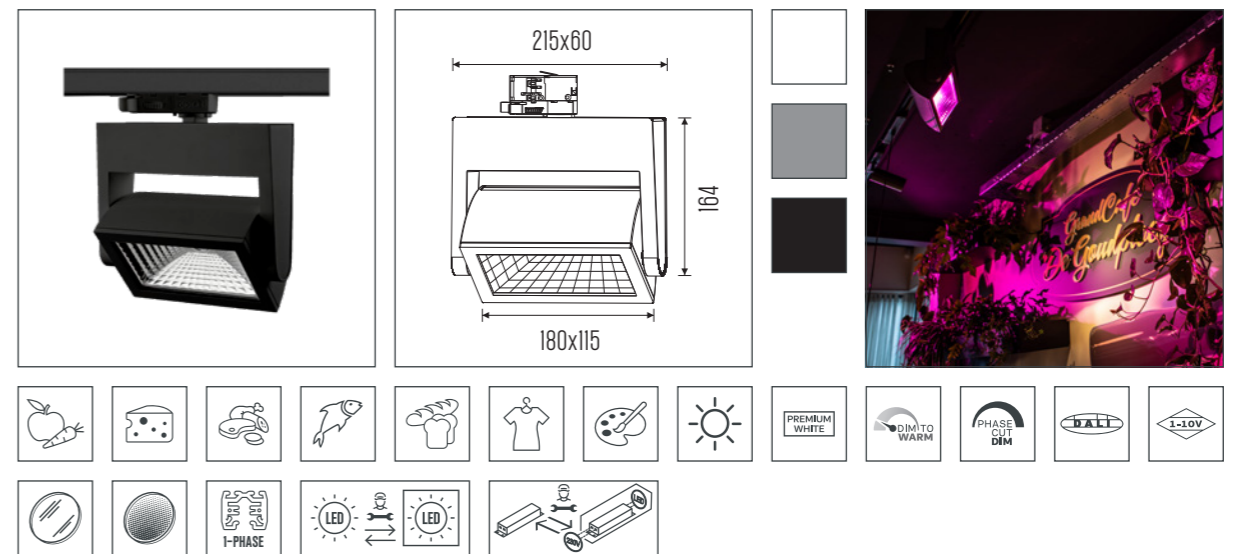


Adjustability	: 350° rotational and 90° tiltable	Optic	: Facet anodized aluminum reflector 90° x 60°
CCT	: 2700K - 5700K	Mains voltage	: 220-240V / 50-60Hz
CRI	: (RA) >90, (RA) >97, (RA) >80	Max. ambient temperature	: 35°C
Chromaticity tolerance	: 3	Ingress protection	: IP20
Luminous flux	: max. 3550Lm	Net. weight	: 1.40Kg
Connected load	: max. 30W	Warranty	: 5 years
System efficiency	: max. 142Lm/W		
Electrical Safety Class	: Class I		

[Go to full specs](#)




## NANNA L TR.



Adjustability	: 350° rotational and 90° tiltable	Optic	: Facet anodized aluminum reflector 90° x 70°
CCT	: 2700K - 5700K	Mains voltage	: 220-240V / 50-60Hz
CRI	: (RA) >90, (RA) >97, (RA) >80	Max. ambient temperature	: 35°C
Chromaticity tolerance	: 3	Ingress protection	: IP20
Luminous flux	: max. 4700Lm	Net. weight	: 2.10Kg
Connected load	: max. 38.5W	Warranty	: 5 years
System efficiency	: max. 145Lm/W		
Electrical Safety Class	: Class I		

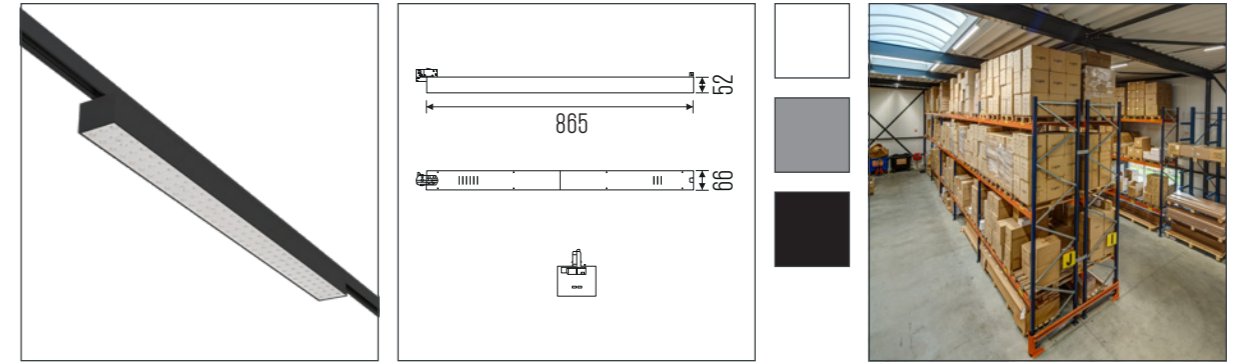
[Go to full specs](#)



# FORSITE TR.



## FORSITE 865 TR.

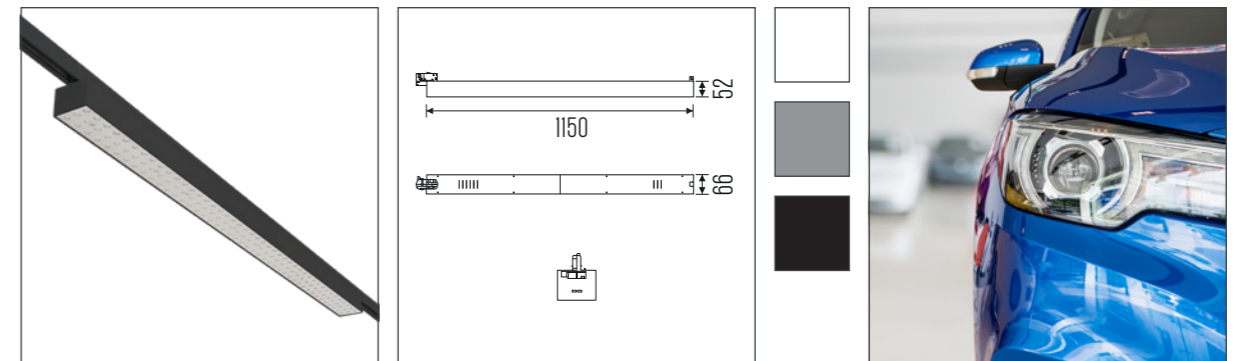


CCT	: 3000K, 4000K	Optic	: Lens - Double assymmetric, 30°,60° and 90°
CRI	: (RA) >90, (RA) >80	Mains voltage	: 220-240V / 50-60Hz
Chromaticity tolerance	: 3	Max. ambient temperature	: 35°C
Luminous flux	: max. 7300Lm	Ingress protection	: IP20
Connected load	: max. 52W	Net. weight	: 2.60Kg
System efficiency	: max. 141Lm/W	Warranty	: 5 years
Electrical Safety Class	: Class I		

Go to full specs



## FORSITE 1150 TR.



CCT	: 3000K, 4000K	Optic	: Lens - Double assymmetric, 30°,60° and 90°
CRI	: (RA) >90, (RA) >80	Mains voltage	: 220-240V / 50-60Hz
Chromaticity tolerance	: 3	Max. ambient temperature	: 35°C
Luminous flux	: max. 9750Lm	Ingress protection	: IP20
Connected load	: max. 68W	Net. weight	: 3.40Kg
System efficiency	: max. 143Lm/W	Warranty	: 5 years
Electrical Safety Class	: Class I		

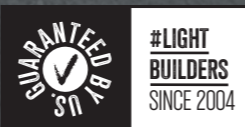
Go to full specs



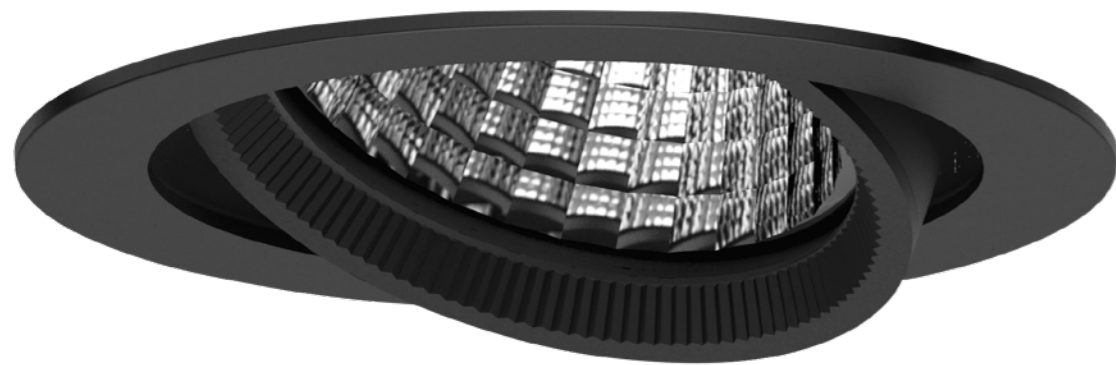
## KEEPING IT SIMPLE BUT SIGNIFICANT.

A linear track luminaire that excels in simplicity. Compact and energy-efficient. Without unnecessary ballast, but with everything you need to make a difference in larger areas. Think of industrial areas, car showrooms or retail spaces. Choose from a wide beam angle range and the right light colour temperature to create the perfect lighting conditions in line or in combination with other track luminaires.

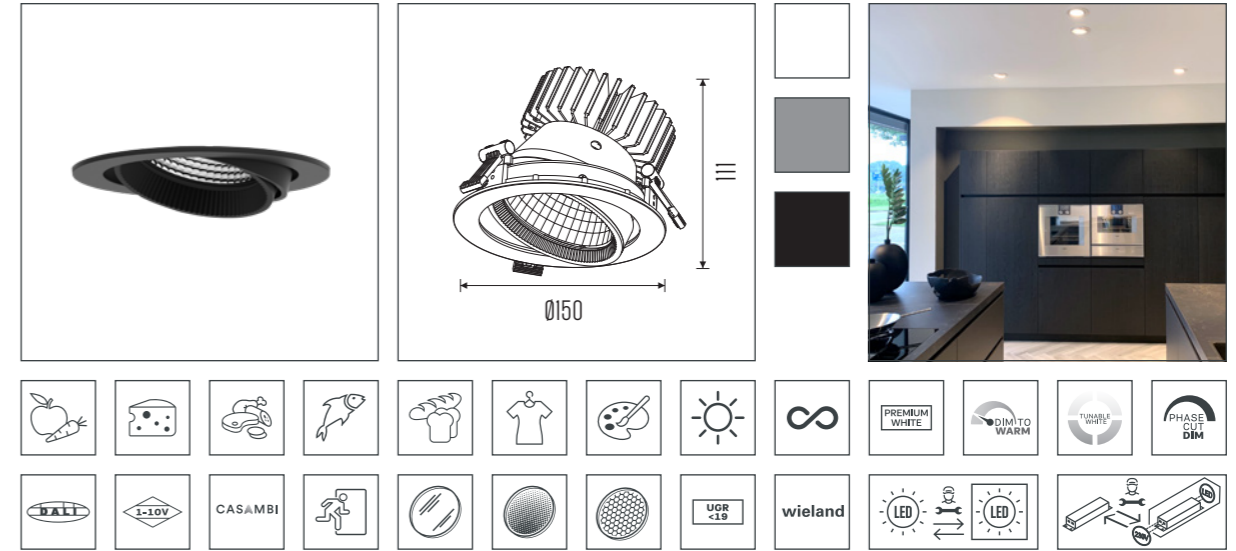
# RECESSED LUMINAIRES.



# FULLA.



## FULLA S.

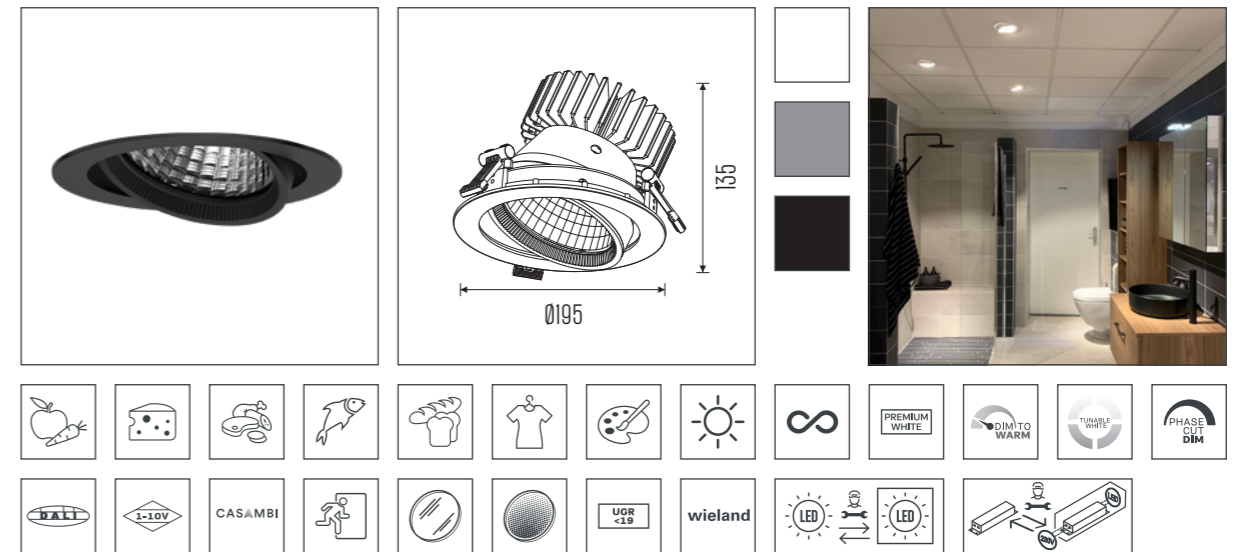


Adjustability	: 350° rotational and 30° tiltable	Electrical Safety Class	: Class II
Cut-out	: Ø 140mm	Optic	: Facet anodized aluminum reflector 15°, 30°, 45°, 55°
CCT	: 2700K - 5700K	Mains voltage	: 220-240V / 50-60Hz
CRI	: (RA) >90, (RA) >97, (RA) >80	Max. ambient temperature	: 35°C
Chromaticity tolerance	: 3	Ingress protection	: IP20
Luminous flux	: max. 3500Lm	Net. weight	: 1.00Kg
Connected load	: max. 30W	Warranty	: 5 years
System efficiency	: max. 137Lm/W		

Go to full specs



## FULLA L.



Adjustability	: 350° rotational and 30° tiltable	Electrical Safety Class	: Class II
Cut-out	: Ø 185mm	Optic	: Facet anodized alu. reflector 15°, 24°, 36°, 45°, 60°
CCT	: 2700K - 5700K	Mains voltage	: 220-240V / 50-60Hz
CRI	: (RA) >90, (RA) >97, (RA) >80	Max. ambient temperature	: 35°C
Chromaticity tolerance	: 3	Ingress protection	: IP20
Luminous flux	: max. 4500Lm	Net. weight	: 1.00Kg
Connected load	: max. 38.5W	Warranty	: 5 years
System efficiency	: max. 137Lm/W		

Go to full specs



## HIGHLY ADJUSTABLE.

The Fulla is highly adjustable as a form of illumination. The turnable and tiltable cardanic downlight, with a timeless design and unlimited options regarding light colour, control options and light distributions, blends seamlessly into a wide variety of settings. This makes it a perfect lighting solution for retail, office and showroom environments.

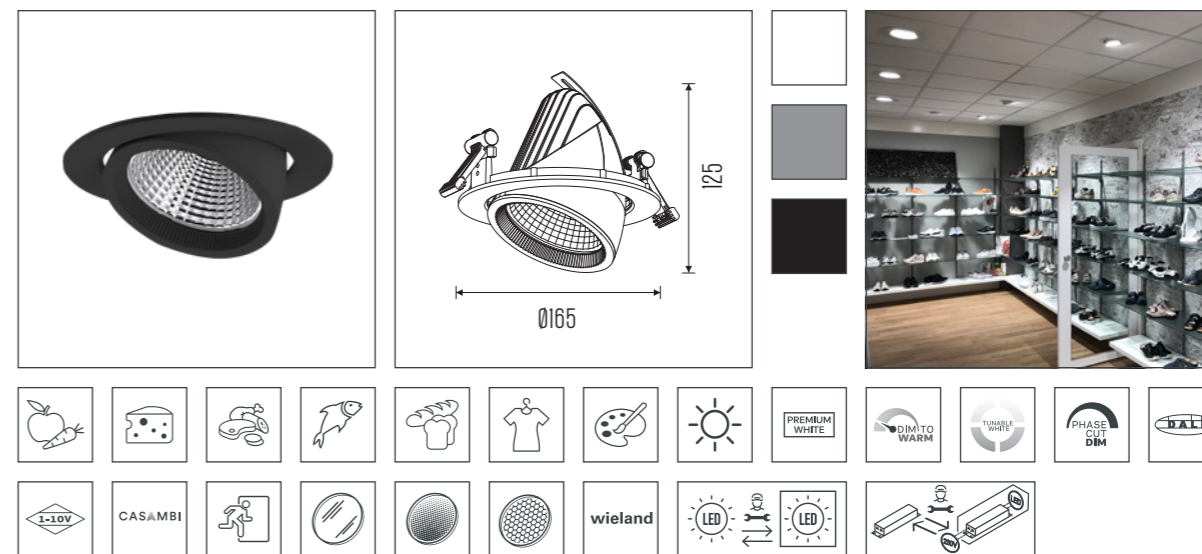
# SANA.



## TURN AND TILT.

This banana spotlight can be integrated in any retail setting or showroom, thanks to its flexibility in terms of rotation and tilting. The luminaire can be used as a downlight above neutral areas, and also as a spot above exhibited objects. This gives you the freedom to adjust the Sana according to your specific requirements.

## SANA.

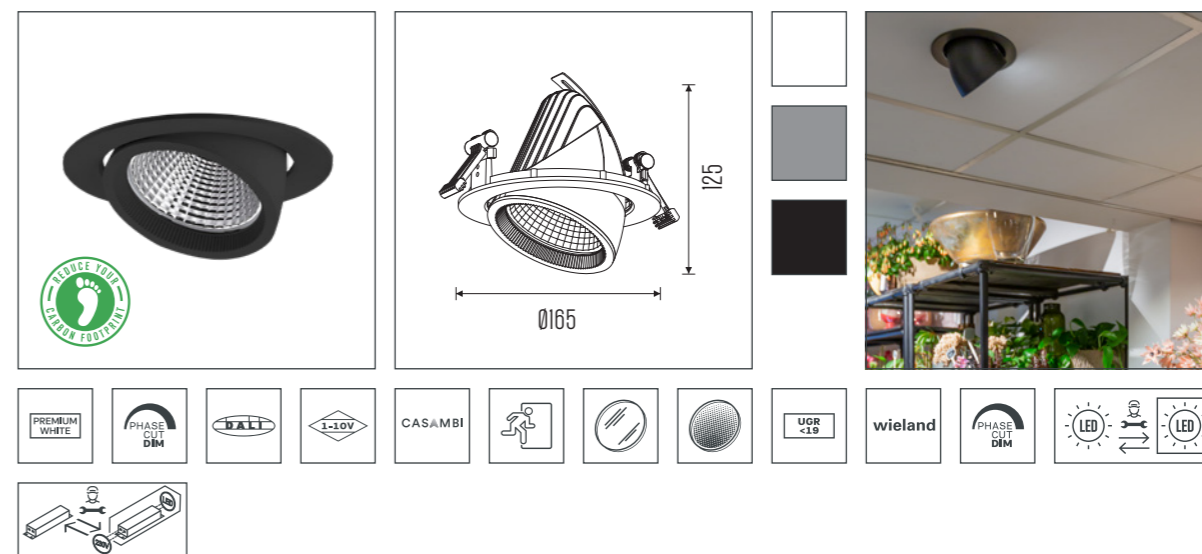


Adjustability	: 350° rotational and 50° tiltable	Electrical Safety Class	: Class II
Cut-out	: Ø 155mm	Optic	: Facet anodized aluminum reflector 15°, 30°, 45°, 60°
CCT	: 2700K - 5700K	Mains voltage	: 220-240V / 50-60Hz
CRI	: (RA) >90, (RA) >97, (RA) >80	Max. ambient temperature	: 35°C
Chromaticity tolerance	: 3	Ingress protection	: IP20
Luminous flux	: max. 4500Lm	Net. weight	: 0.88Kg
Connected load	: max. 38.5W	Warranty	: 5 years
System efficiency	: max. 137Lm/W		

Go to full specs



## SANA HE.



Adjustability	: 350° rotational and 50° tiltable	Electrical Safety Class	: Class II
Cut-out	: Ø 155mm	Optic	: Facet metalized reflector 20°, 30°, 40°, 60°
CCT	: 2700K, 3000K, 3500K, 4000K	Mains voltage	: 220-240V / 50-60Hz
CRI	: (RA) >90	Max. ambient temperature	: 35°C
Chromaticity tolerance	: 2	Ingress protection	: IP20
Luminous flux	: max. 3950Lm	Net. weight	: 0.88Kg
Connected load	: max. 31W	Warranty	: 5 years
System efficiency	: max. 147Lm/W		

Go to full specs

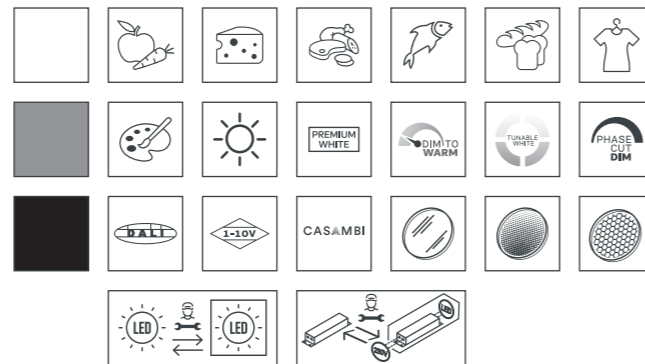
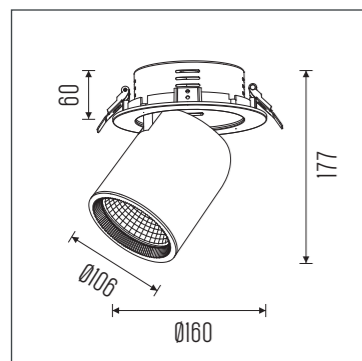


# EDDA REC.

The Edda Recessed is an extremely flexible, fully adjustable semi-recessed spotlight. Hidden in the ceiling or pointed on the object you want, this fixture is a great choice for shopwindows, illumination of wall objects or just as main lighting in retail environments. Combine with Edda track fixtures for an eye-catching result.



RECESSED LUMINAIRES



Adjustability	: 350° rotational and 90° tiltable	Electrical Safety Class	: Class II
Cut-out	: Ø 145mm	Optic	: Facet anodized aluminum reflector
CCT	: 2700K - 5700K		: 15°, 30°, 45°, 60°
CRI	: (RA) >90, (RA) >97, (RA) >80	Mains voltage	: 220-240V / 50-60Hz
Chromaticity tolerance	: 3	Max. ambient temperature	: 35°C
Luminous flux	: max. 3500Lm	Ingress protection	: IP20
Connected load	: max. 30W	Net. weight	: 1.30Kg
System efficiency	: max. 137Lm/W	Warranty	: 5 years

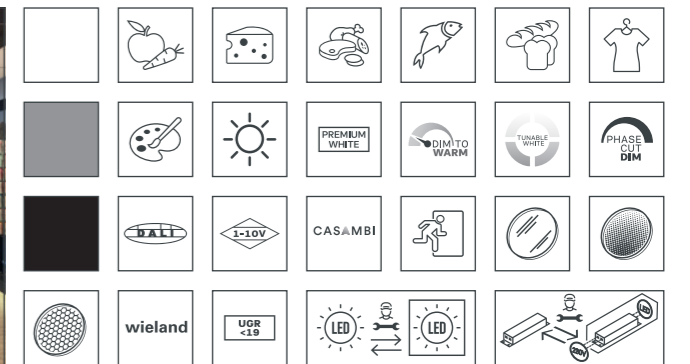
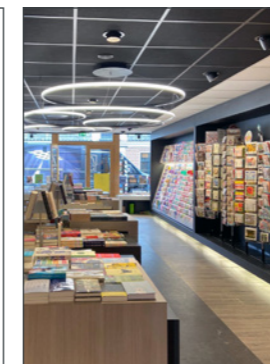
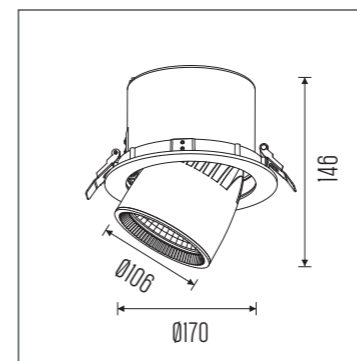


# NIMROD.

The fully adjustable Nimrod creates an unforgettable retail and shop experience. This fixture is often used for higher ceilings. The wide range of possible control and light spectrum options enables you to present the colours of your merchandise in the best possible way.

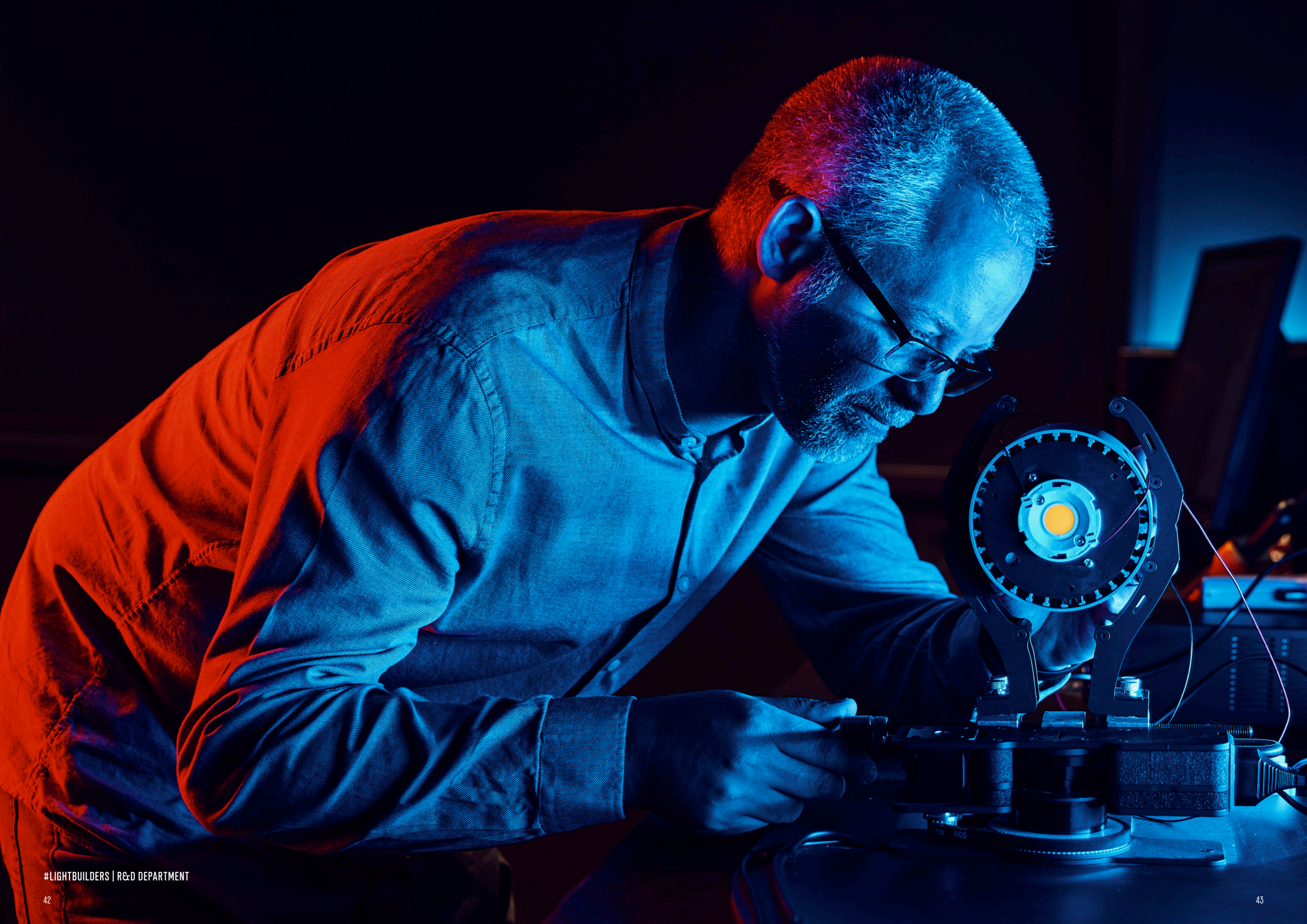


RECESSED LUMINAIRES



Adjustability	: 350° rotational and 50° tiltable	Electrical Safety Class	: Class II
Cut-out	: Ø 160mm	Optic	: Facet anodized aluminum reflector
CCT	: 2700K - 5700K		: 15°, 30°, 45°, 60°
CRI	: (RA) >90, (RA) >97, (RA) >80	Mains voltage	: 220-240V / 50-60Hz
Chromaticity tolerance	: 3	Max. ambient temperature	: 35°C
Luminous flux	: max. 4500Lm	Ingress protection	: IP20
Connected load	: max. 38.5W	Net. weight	: 1.20Kg
System efficiency	: max. 137Lm/W	Warranty	: 5 years

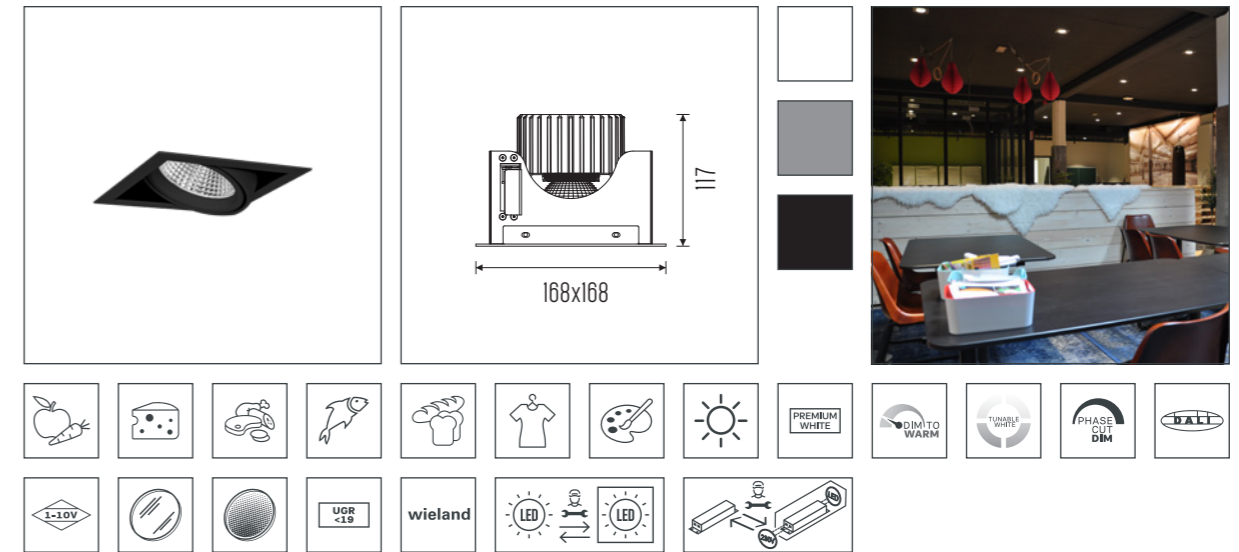




# CARDAN.



## CARDAN S ONE.

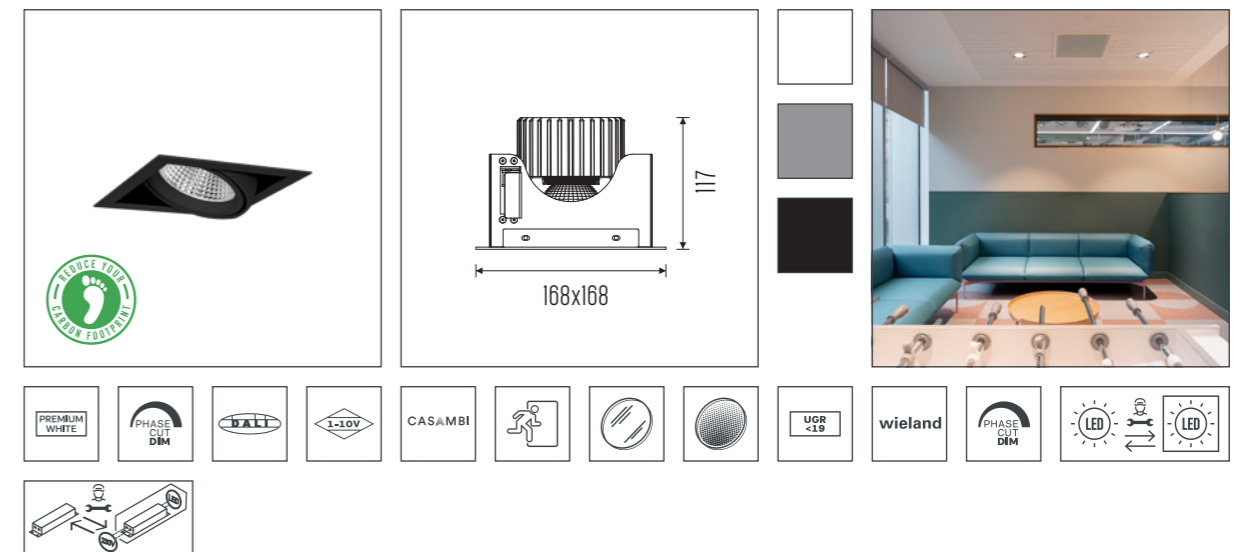


Adjustability	: 25° tiltable	Electrical Safety Class	: Class II
Cut-out	: 155mm x 155mm	Optic	: Facet anodized aluminum reflector 15°, 30°, 45°, 60°
CCT	: 2700K - 5700K	Mains voltage	: 220-240V / 50-60Hz
CRI	: (RA) >90, (RA) >97, (RA) >80	Max. ambient temperature	: 35°C
Chromaticity tolerance	: 3	Ingress protection	: IP20
Luminous flux	: max. 4450Lm	Net. weight	: 1.21Kg
Connected load	: max. 38.5W	Warranty	: 5 years
System efficiency	: max. 137Lm/W		

Go to full specs



## CARDAN S ONE HE.



Adjustability	: 25° tiltable	Electrical Safety Class	: Class II
Cut-out	: 155mm x 155mm	Optic	: Facet metalized reflector 20°, 30°, 40°, 60°
CCT	: 2700K, 3000K, 3500K, 4000K	Mains voltage	: 220-240V / 50-60Hz
CRI	: (RA) >90	Max. ambient temperature	: 35°C
Chromaticity tolerance	: 2	Ingress protection	: IP20
Luminous flux	: max. 3950Lm	Net. weight	: 1.21Kg
Connected load	: max. 31W	Warranty	: 5 years
System efficiency	: max. 147Lm/W		

Go to full specs

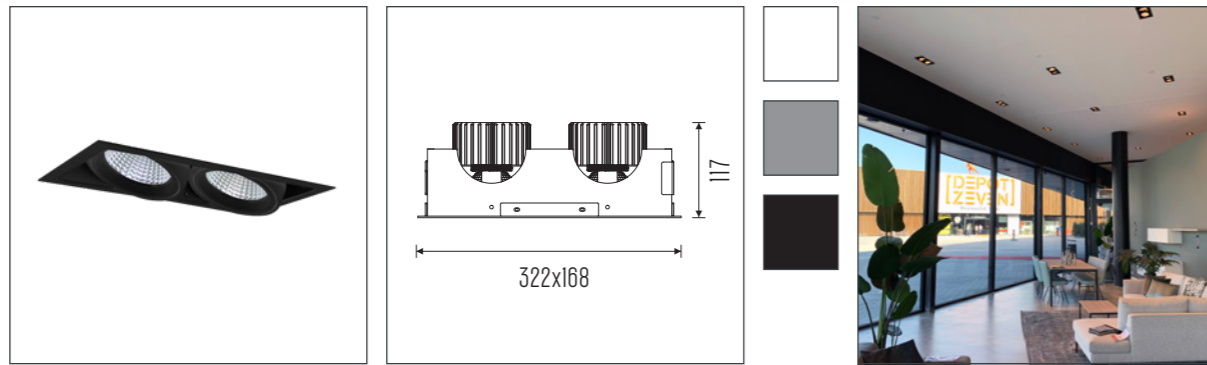


## UNIVERSAL MULTIFUNCTIONAL.

This family of recessed cardanic luminaires excels in multifunctionality. Different sizes, light colours, light distribution, control options and accessories mean that it can be used in a large range of applications. The luminaire is a favorite for solutions for showrooms, exhibitions, retail spaces and other areas with high ceilings.



## CARDAN S TWO.

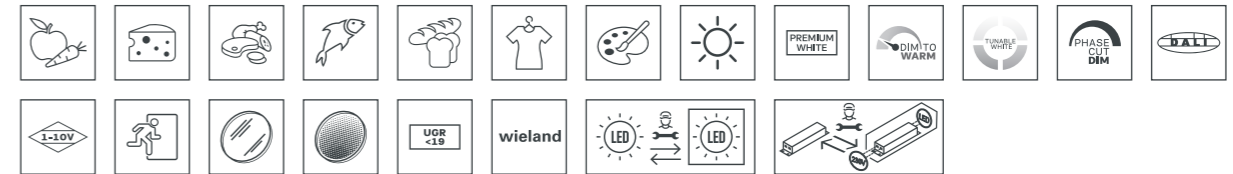
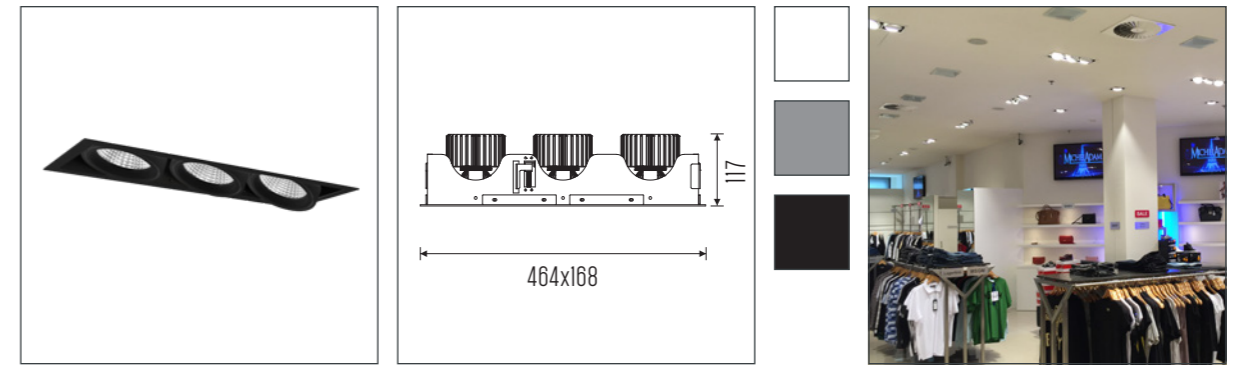


Adjustability	: 25° tiltable	Electrical Safety Class	: Class II
Cut-out	: 310mm x 155mm	Optic	: Facet anodized aluminum reflector 15°, 30°, 45°, 60°
CCT	: 2700K - 5700K	Mains voltage	: 220-240V / 50-60Hz
CRI	: (RA) >90, (RA) >97, (RA) >80	Max. ambient temperature	: 35°C
Chromaticity tolerance	: 3	Ingress protection	: IP20
Luminous flux	: max. 2 x 4450Lm	Net. weight	: 2.10Kg
Connected load	: max. 2 x 38.5W	Warranty	: 5 years
System efficiency	: max. 137Lm/W		

Go to full specs



## CARDAN S THREE.

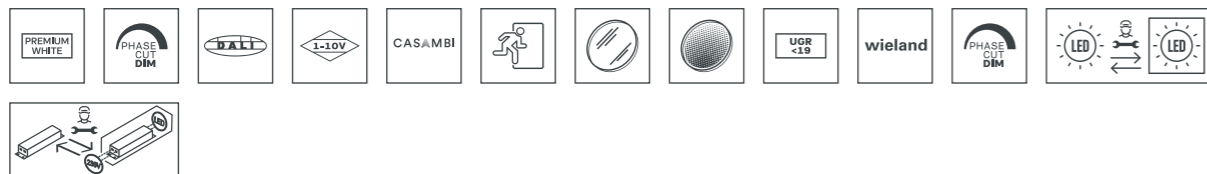
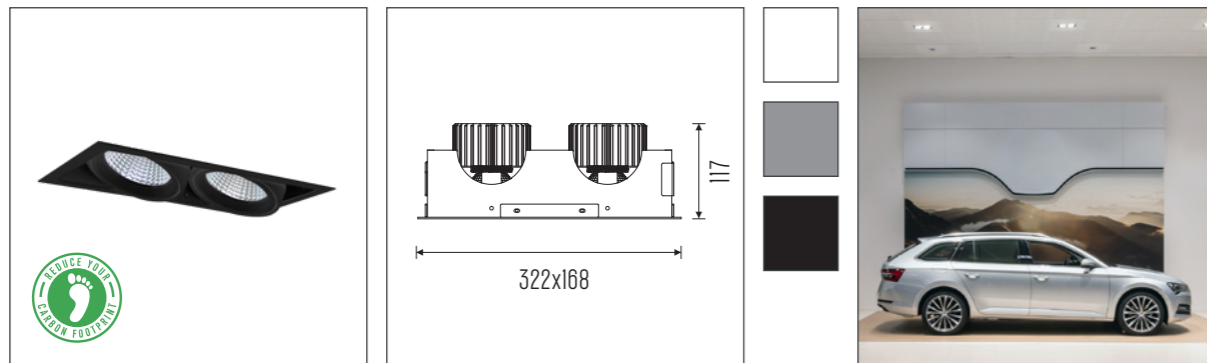


Adjustability	: 25° tiltable	Electrical Safety Class	: Class II
Cut-out	: 452mm x 155mm	Optic	: Facet anodized aluminum reflector 15°, 30°, 45°, 60°
CCT	: 2700K - 5700K	Mains voltage	: 220-240V / 50-60Hz
CRI	: (RA) >90, (RA) >97, (RA) >80	Max. ambient temperature	: 35°C
Chromaticity tolerance	: 3	Ingress protection	: IP20
Luminous flux	: max. 3 x 4450Lm	Net. weight	: 3.30Kg
Connected load	: max. 3 x 38.5W	Warranty	: 5 years
System efficiency	: max. 137Lm/W		

Go to full specs



## CARDAN S TWO HE.

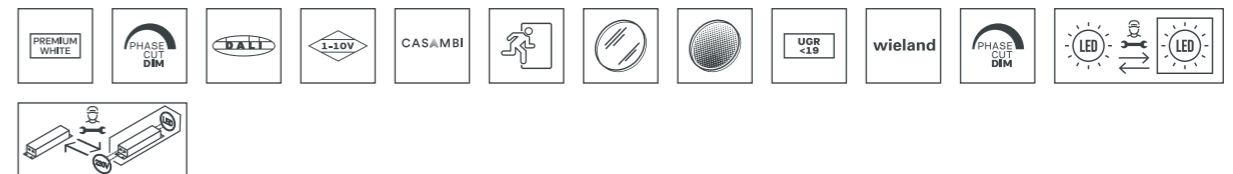
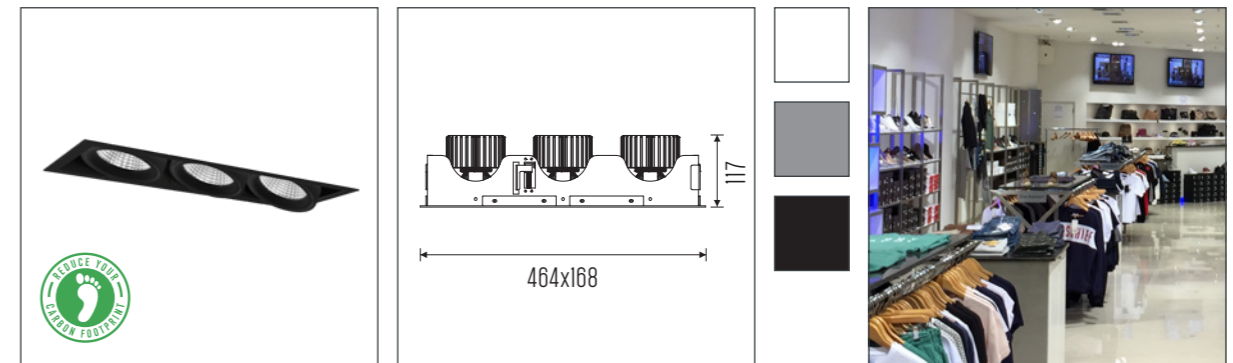


Adjustability	: 25° tiltable	Electrical Safety Class	: Class II
Cut-out	: 310mm x 155mm	Optic	: Facet metalized reflector 20°, 30°, 40°, 60°
CCT	: 2700K, 3000K, 3500K, 4000K	Mains voltage	: 220-240V / 50-60Hz
CRI	: (RA) >90	Max. ambient temperature	: 35°C
Chromaticity tolerance	: 2	Ingress protection	: IP20
Luminous flux	: max. 2 x 3950Lm	Net. weight	: 2.10Kg
Connected load	: max. 2 x 31W	Warranty	: 5 years
System efficiency	: max. 147Lm/W		

Go to full specs



## CARDAN S THREE HE.



Adjustability	: 25° tiltable	Electrical Safety Class	: Class II
Cut-out	: 452mm x 155mm	Optic	: Facet metalized reflector 20°, 30°, 40°, 60°
CCT	: 2700K, 3000K, 3500K, 4000K	Mains voltage	: 220-240V / 50-60Hz
CRI	: (RA) >90	Max. ambient temperature	: 35°C
Chromaticity tolerance	: 2	Ingress protection	: IP20
Luminous flux	: max. 3 x 3950Lm	Net. weight	: 3.30Kg
Connected load	: max. 3 x 31W	Warranty	: 5 years
System efficiency	: max. 147Lm/W		

Go to full specs

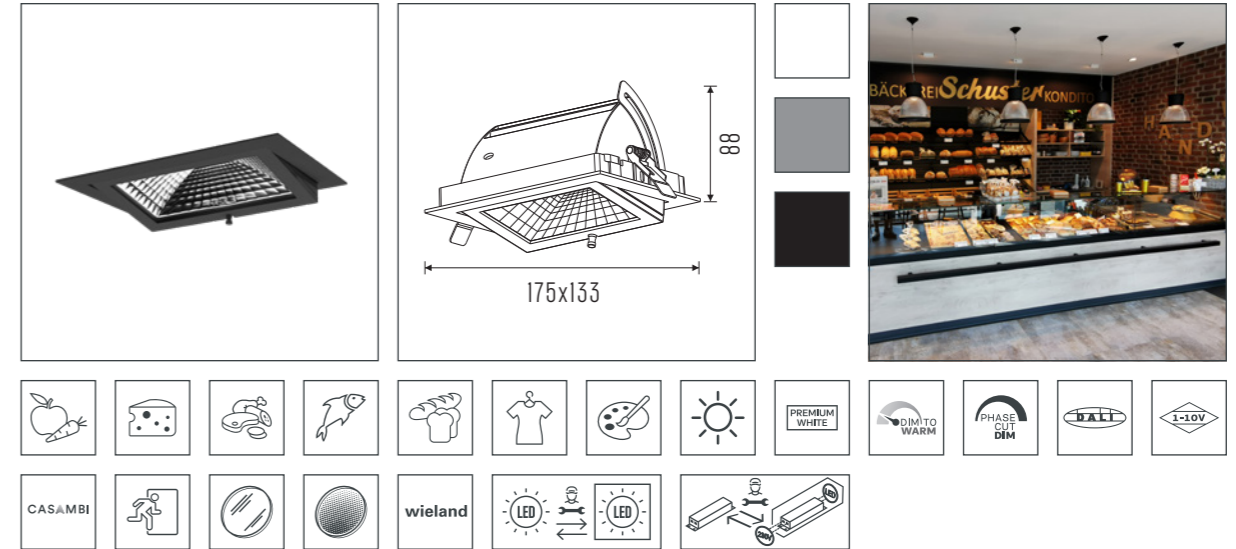




# NANNA BI.



## NANNA S BI.

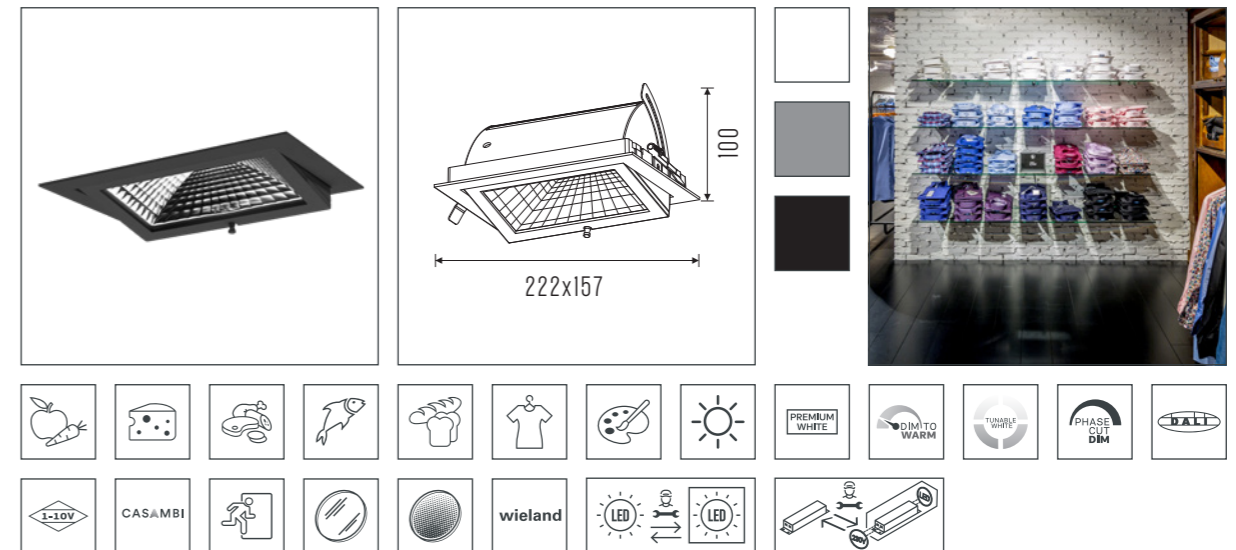


Adjustability	: 60° tiltable	Electrical Safety Class	: Class II
Cut-out	: 165mm x 120mm	Optic	: Facet anodized aluminum reflector 90° x 60°
CCT	: 2700K - 5700K	Mains voltage	: 220-240V / 50-60Hz
CRI	: (RA) >90, (RA) >97, (RA) >80	Max. ambient temperature	: 35°C
Chromaticity tolerance	: 3	Ingress protection	: IP20
Luminous flux	: max. 3550Lm	Net. weight	: 1.40Kg
Connected load	: max. 30W	Warranty	: 5 years
System efficiency	: max. 142Lm/W		

Go to full specs



## NANNA L BI.



Adjustability	: 60° tiltable	Electrical Safety Class	: Class II
Cut-out	: 210mm x 140mm	Optic	: Facet anodized aluminum reflector 90° x 70°
CCT	: 2700K - 5700K	Mains voltage	: 220-240V / 50-60Hz
CRI	: (RA) >90, (RA) >97, (RA) >80	Max. ambient temperature	: 35°C
Chromaticity tolerance	: 3	Ingress protection	: IP20
Luminous flux	: max. 4700Lm	Net. weight	: 2.10Kg
Connected load	: max. 38.5W	Warranty	: 5 years
System efficiency	: max. 145Lm/W		

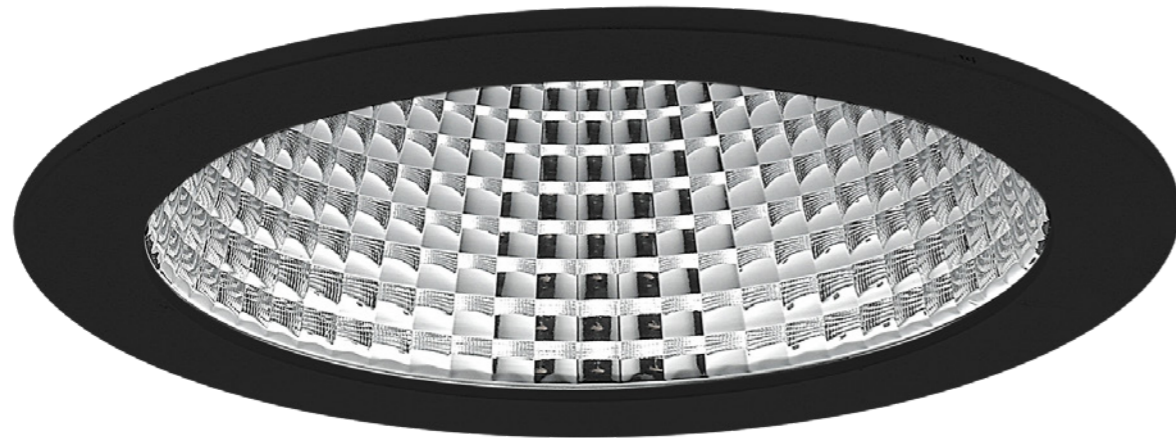
Go to full specs



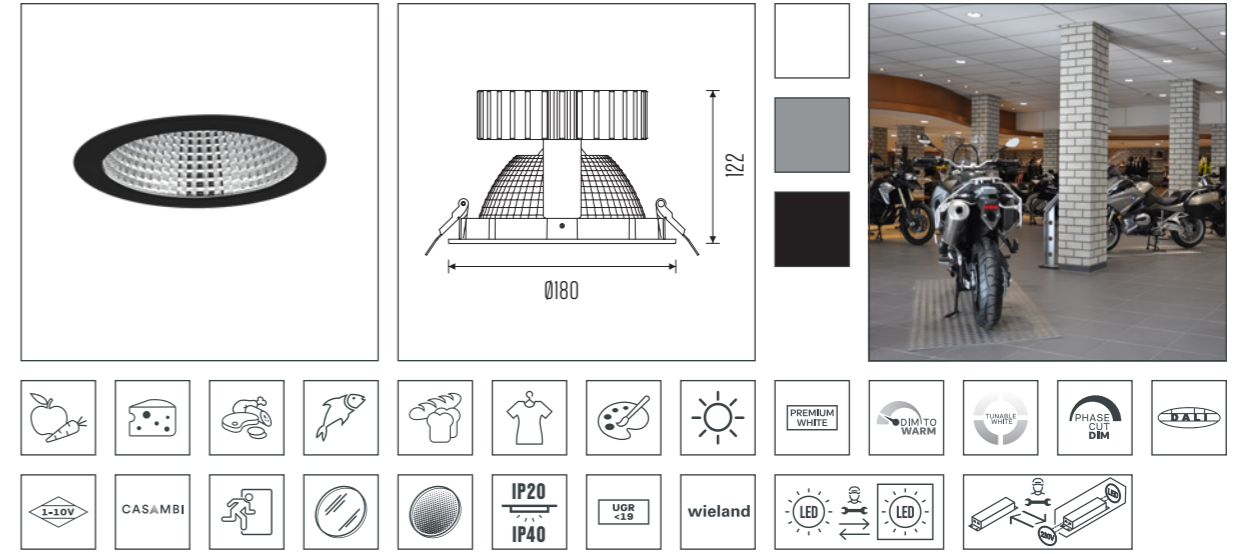
## INTEGRATED PERFECTLY.

The Nanna built-in is designed and constructed to integrate perfectly into the ceiling. This adjustable recessed wallwasher has the best options for illuminating your most beautiful items on wall shelves or for illuminating an entire wall.

# WORLD.




## WORLD 180.

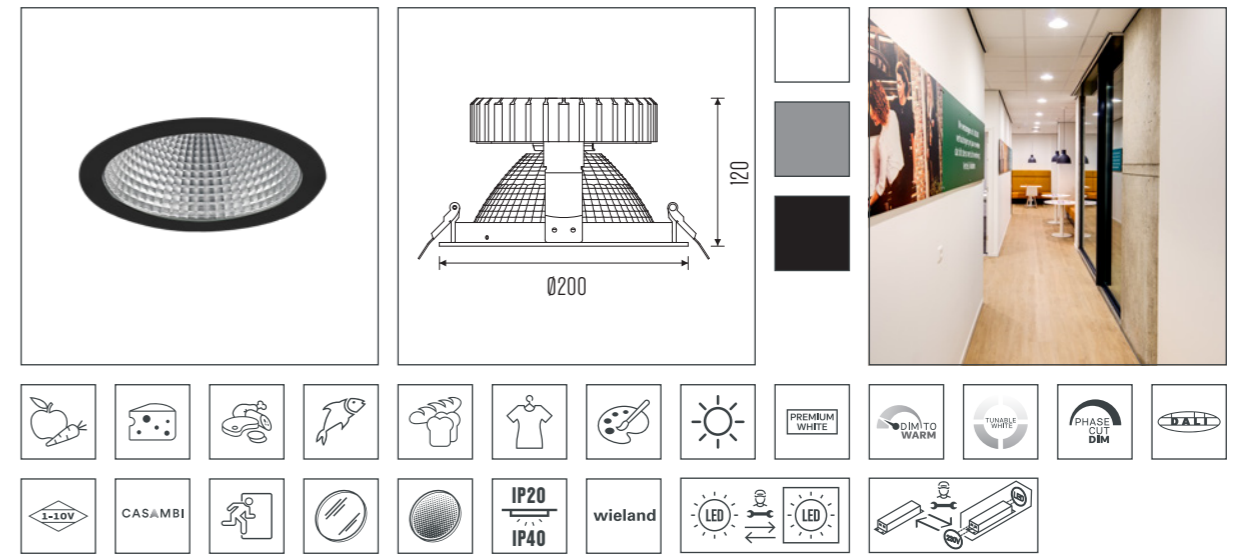


Cut-out	: Ø170mm	Optic	: Facet anodized aluminum reflector 50°
CCT	: 2700K - 5700K	Mains voltage	: 220-240V / 50-60Hz
CRI	: (RA) >90, (RA) >97, (RA) >80	Max. ambient temperature	: 35°C
Chromaticity tolerance	: 3	Ingress protection	: IP20
Luminous flux	: max. 4650Lm	Net. weight	: 1.00Kg
Connected load	: max. 38.5W	Warranty	: 5 years
System efficiency	: max. 142Lm/W		
Electrical Safety Class	: Class II		

[Go to full specs](#)




## WORLD 200.



Cut-out	: Ø190mm	Optic	: Facet anodized aluminum reflector 50°
CCT	: 2700K - 5700K	Mains voltage	: 220-240V / 50-60Hz
CRI	: (RA) >90, (RA) >97, (RA) >80	Max. ambient temperature	: 35°C
Chromaticity tolerance	: 3	Ingress protection	: IP20
Luminous flux	: max. 4700Lm	Net. weight	: 1.20Kg
Connected load	: max. 38.5W	Warranty	: 5 years
System efficiency	: max. 145Lm/W		
Electrical Safety Class	: Class II		

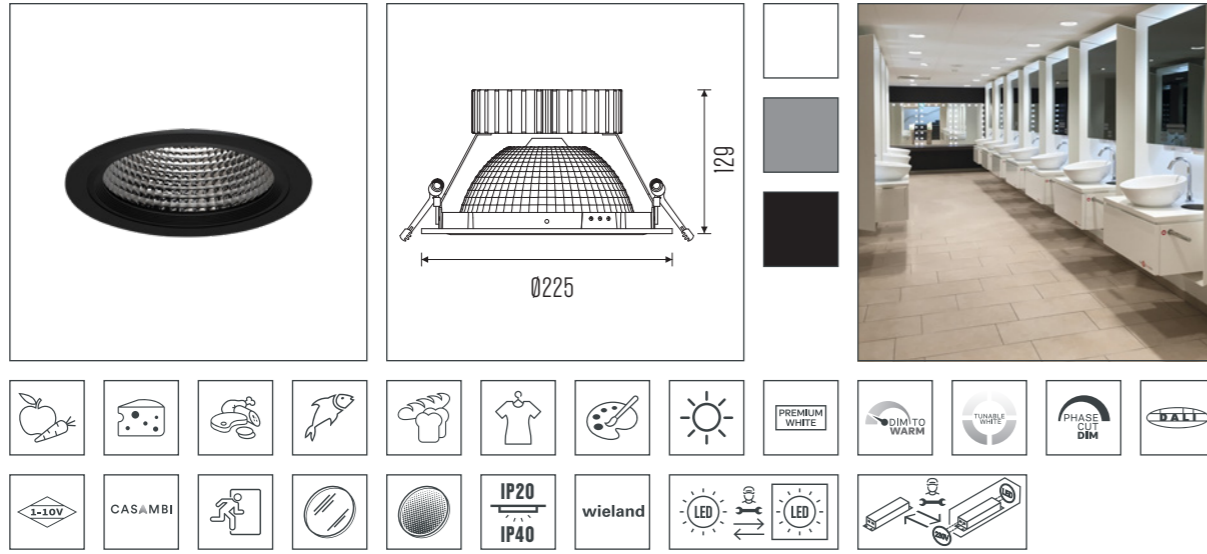
[Go to full specs](#)



## UNLIMITED POSSIBILITIES.

This universal recessed downlight has unlimited possibilities. There's a variety of sizes, light colours, control options and accessories to meet the exact requirements of the specific application. And thanks to the various sizes and different options, you can always find one that perfectly fits an existing cut-out.

## WORLD 225.

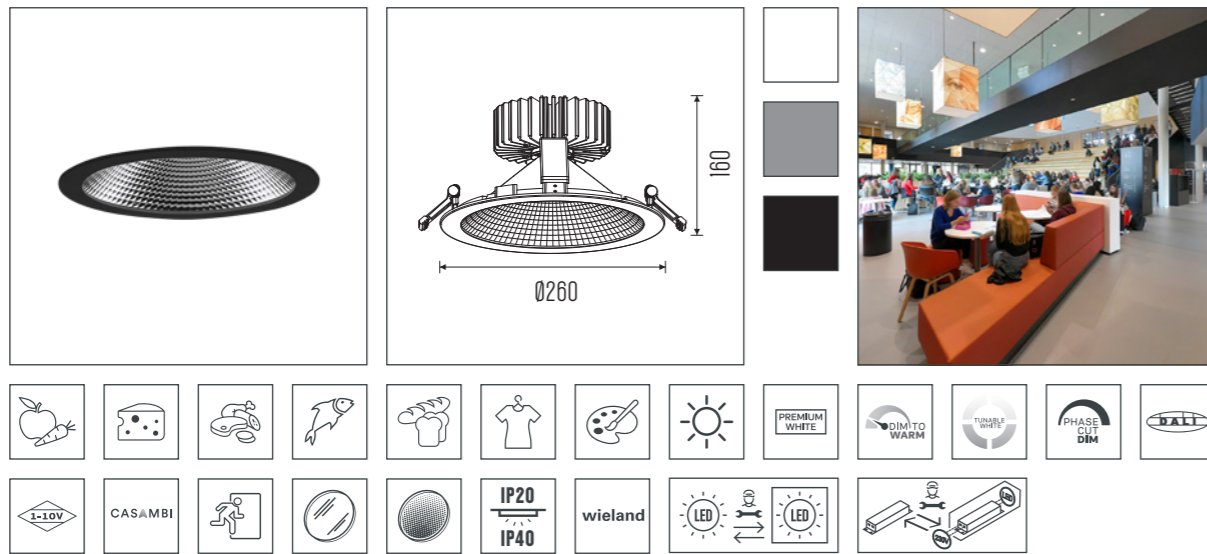


Cut-out	: Ø210mm	Optic	: Facet anodized aluminum reflector 50°
CCT	: 2700K - 5700K	Mains voltage	: 220-240V / 50-60Hz
CRI	: (RA) >90, (RA) >97, (RA) >80	Max. ambient temperature	: 35°C
Chromaticity tolerance	: 3	Ingress protection	: IP20
Luminous flux	: max. 4700Lm	Net. weight	: 1.20Kg
Connected load	: max. 38.5W	Warranty	: 5 years
System efficiency	: max. 145Lm/W		
Electrical Safety Class	: Class II		

Go to full specs



## WORLD 260.



Cut-out	: Ø240mm	Optic	: Facet anodized aluminum reflector 80°
CCT	: 2700K - 5700K	Mains voltage	: 220-240V / 50-60Hz
CRI	: (RA) >90, (RA) >97, (RA) >80	Max. ambient temperature	: 35°C
Chromaticity tolerance	: 3	Ingress protection	: IP20
Luminous flux	: max. 4700Lm	Net. weight	: 1.30Kg
Connected load	: max. 38.5W	Warranty	: 5 years
System efficiency	: max. 145Lm/W		
Electrical Safety Class	: Class II		

Go to full specs



#LIGHTBUILDERS | ASSEMBLY DEPARTMENT

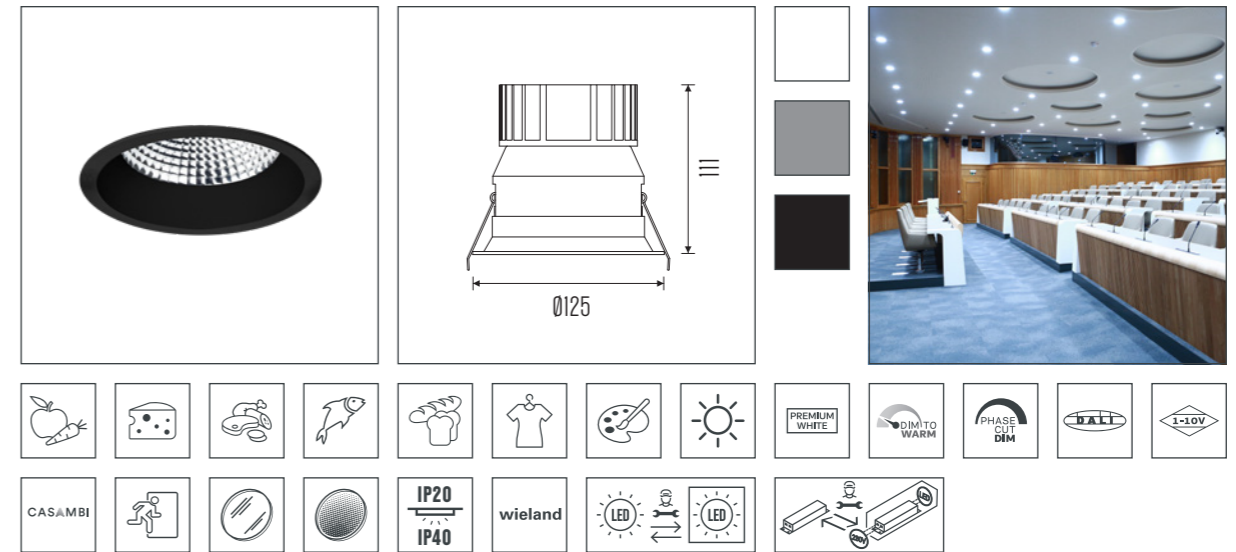
# BALDR.



## MULTIFUNCTIONAL ALL-ROUNDER.

This recessed downlight is used for multifunctional lighting. Perfect for workspaces en spaces where meetings and presentations are held. With the various options, such as dim-to-warm and tunable white you can smoothly change the colour temperature and therefore the atmosphere of the entire room.

### BALDR S.

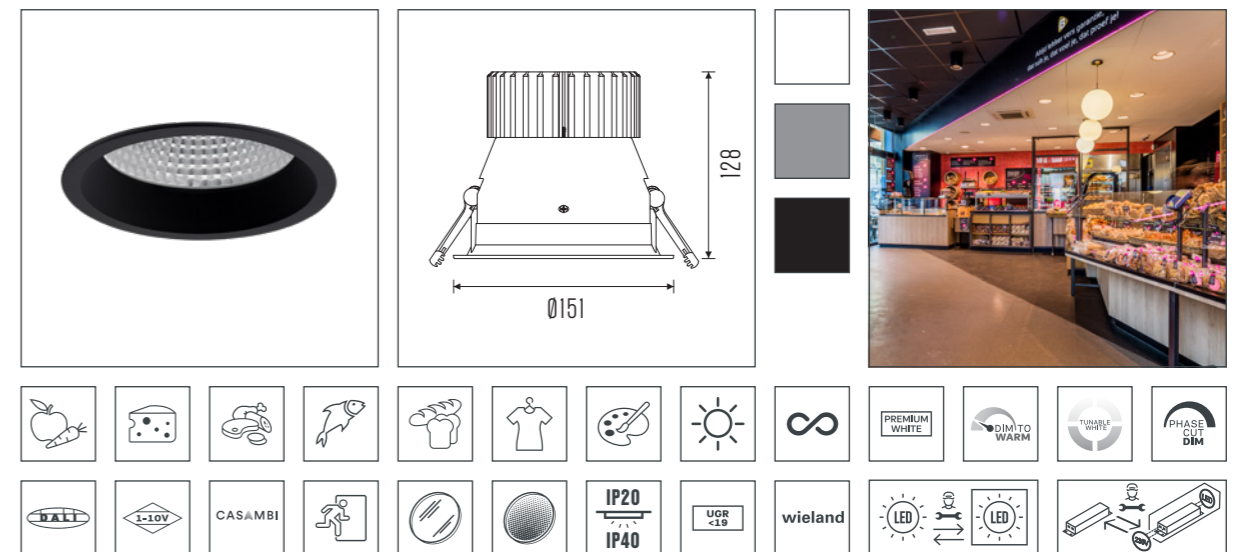


Cut-out	: Ø115mm	Optic	: Facet anodized aluminum reflector 50°
CCT	: 2700K - 5700K	Mains voltage	: 220-240V / 50-60Hz
CRI	: (RA) >90, (RA) >97, (RA) >80	Max. ambient temperature	: 35°C
Chromaticity tolerance	: 3	Ingress protection	: IP40 from optical side
Luminous flux	: max. 2500Lm	Net. weight	: 0.50Kg
Connected load	: max. 18.5W	Warranty	: 5 years
System efficiency	: max. 127Lm/W		
Electrical Safety Class	: Class II		

Go to full specs



### BALDR L.



Cut-out	: Ø140mm	Optic	: Facet anodized aluminum reflector 45°
CCT	: 2700K - 5700K	Mains voltage	: 220-240V / 50-60Hz
CRI	: (RA) >90, (RA) >97, (RA) >80	Max. ambient temperature	: 35°C
Chromaticity tolerance	: 3	Ingress protection	: IP40 from optical side
Luminous flux	: max. 4500Lm	Net. weight	: 0.86Kg
Connected load	: max. 38.5W	Warranty	: 5 years
System efficiency	: max. 132Lm/W		
Electrical Safety Class	: Class II		

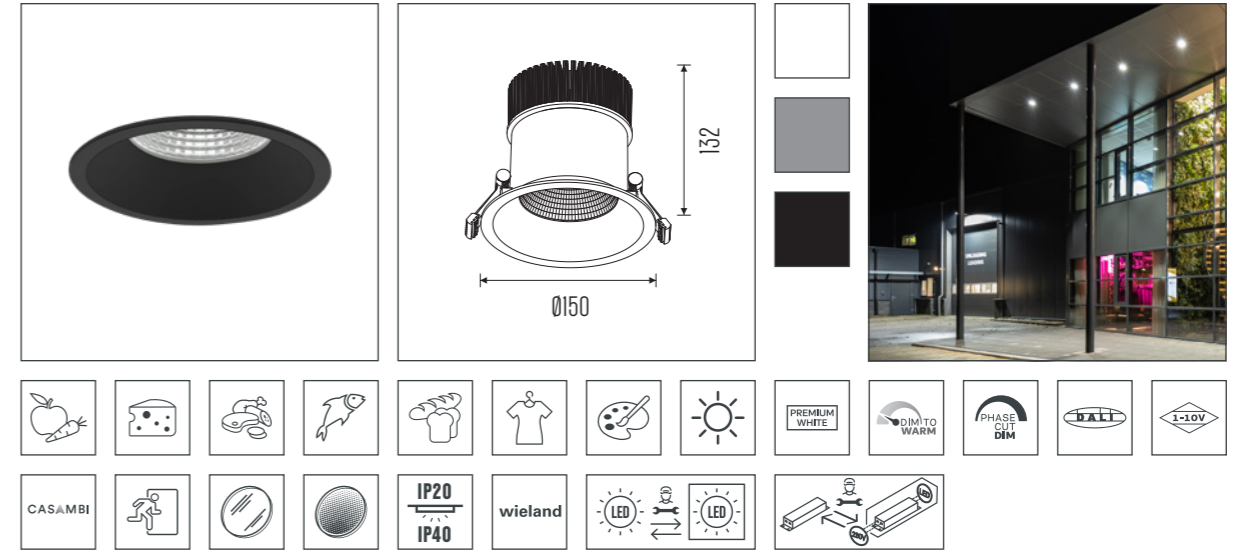
Go to full specs



# CIMBRI.



## CIMBRI.

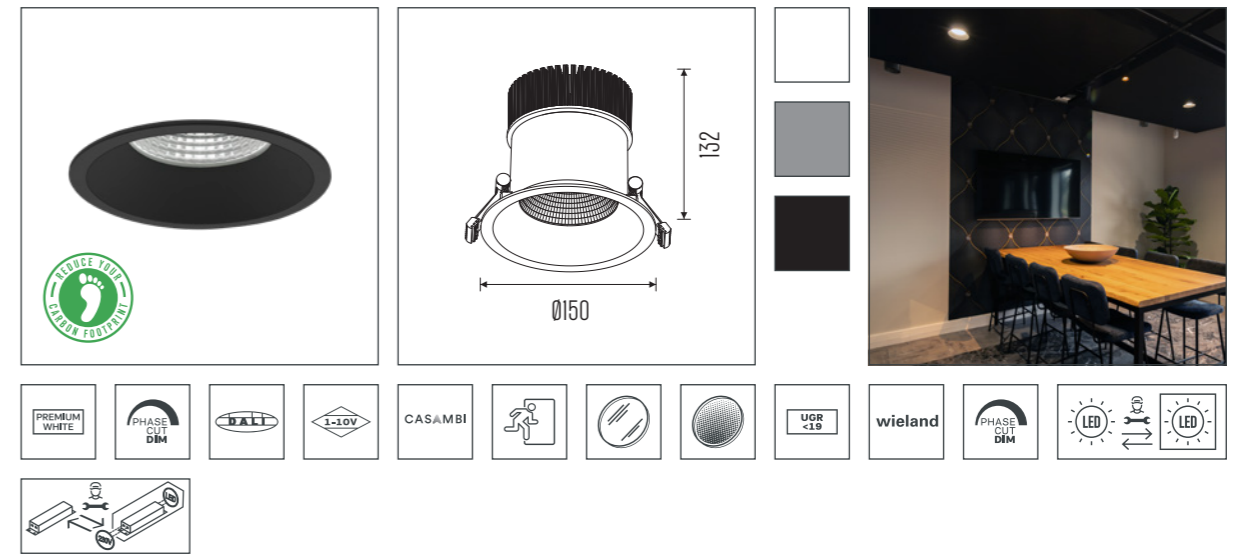


Cut-out	: Ø140mm	Optic	: Facet anodized aluminum reflector 15°, 30°, 45°, 60°
CCT	: 2700K - 5700K	Mains voltage	: 220-240V / 50-60Hz
CRI	: (RA) >90, (RA) >97, (RA) >80	Max. ambient temperature	: 35°C
Chromaticity tolerance	: 3	Ingress protection	: IP65 from optical side
Luminous flux	: max. 3500Lm	Net. weight	: 1.00Kg
Connected load	: max. 30W	Warranty	: 5 years
System efficiency	: max. 137Lm/W		
Electrical Safety Class	: Class II		

Go to full specs



## CIMBRI HE.



Cut-out	: Ø140mm	Optic	: Facet metalized reflector 20°, 30°, 40°, 60°
CCT	: 2700K, 3000K, 3500K, 4000K	Mains voltage	: 220-240V / 50-60Hz
CRI	: (RA) >90	Max. ambient temperature	: 35°C
Chromaticity tolerance	: 2	Ingress protection	: IP20
Luminous flux	: max. 3950Lm	Net. weight	: 1.00Kg
Connected load	: max. 31W	Warranty	: 5 years
System efficiency	: max. 147Lm/W		
Electrical Safety Class	: Class II		

Go to full specs



## SERVES ITS PURPOSE.

The Cimbri provides added value to spaces where people work and meet.

Think of reception areas in the retail, offices, hotels and the catering sector.

The luminaire is equipped with clear protective glass (IP65 from optical side).

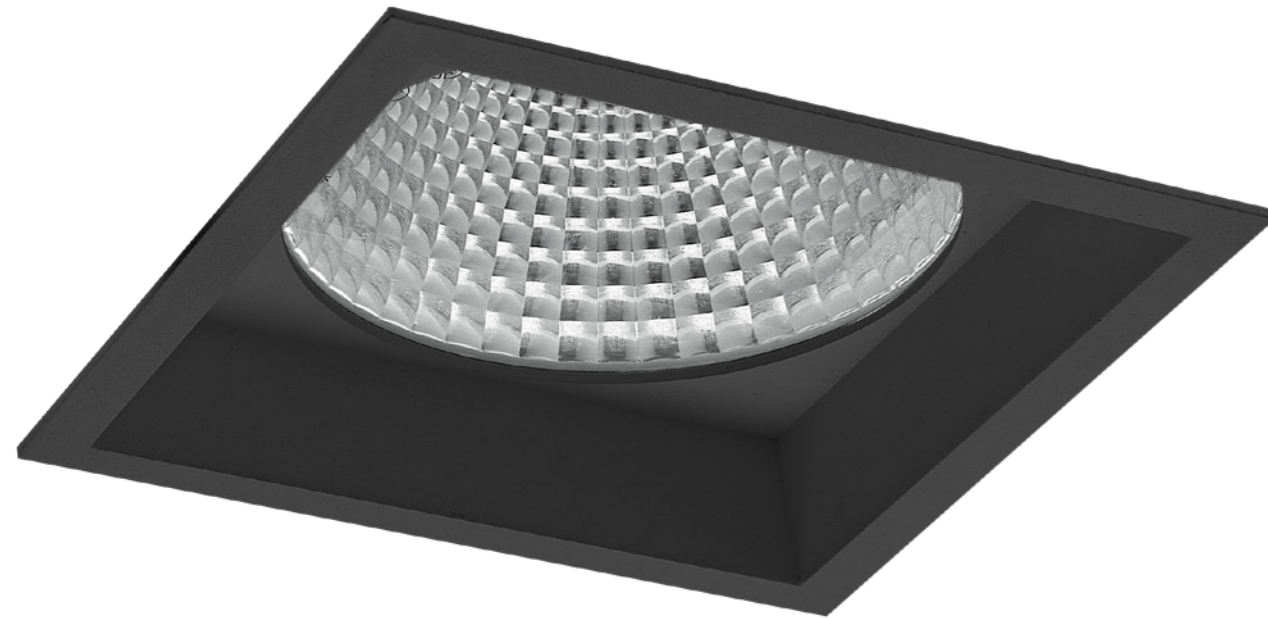


Lightbuilders

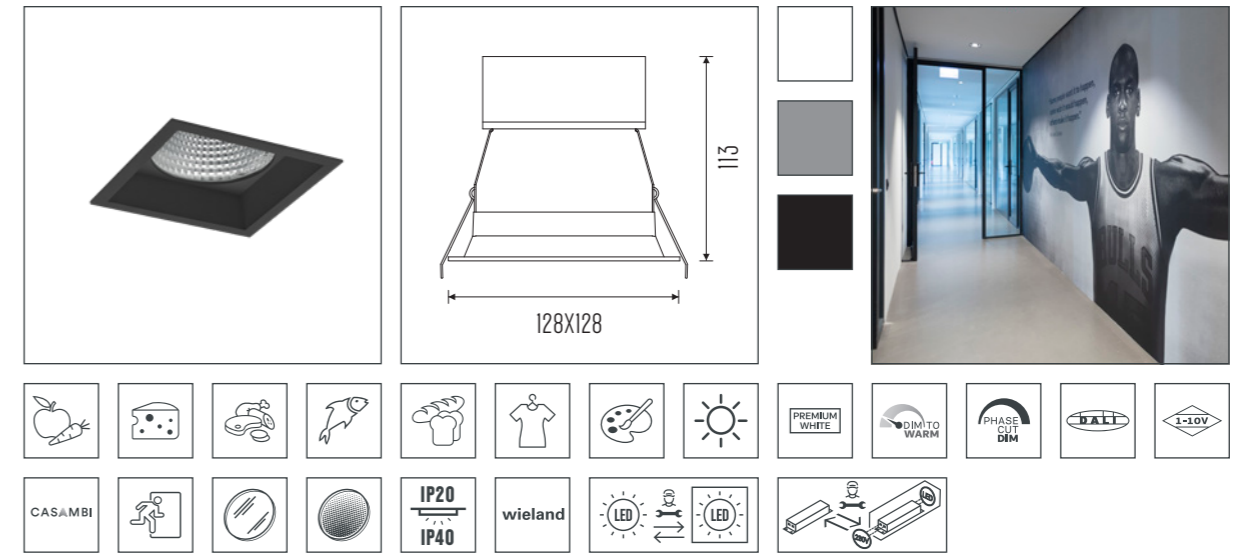
LIGHT4U




# FENRIR.



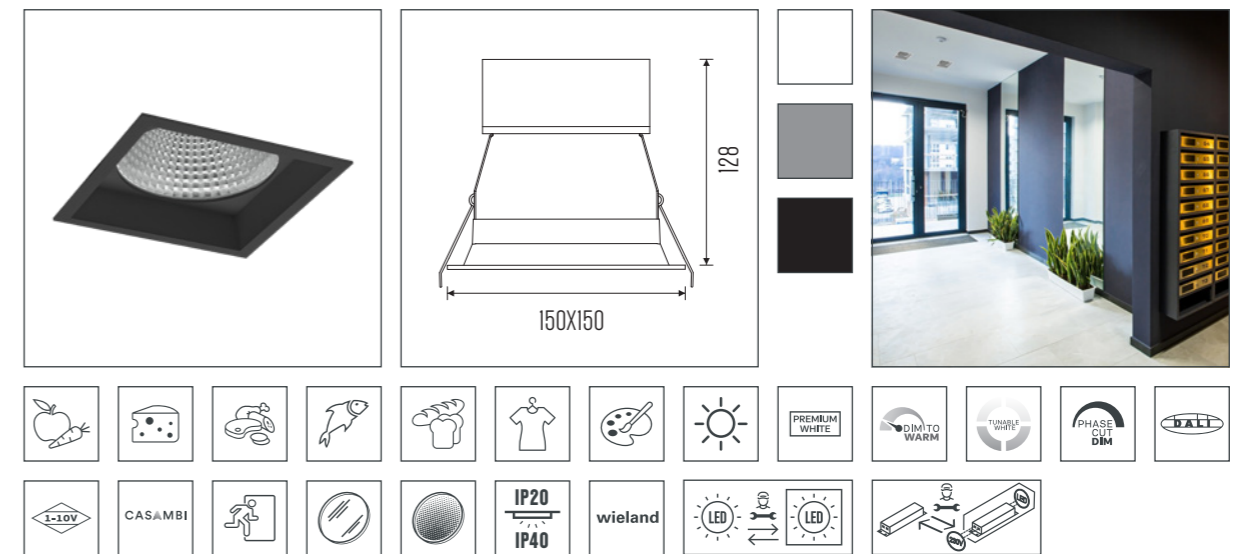
## FENRIR S.




Cut-out	: 116mm x 116mm	Optic	: Facet anodized aluminum reflector 50°
CCT	: 2700K - 5700K	Mains voltage	: 220-240V / 50-60Hz
CRI	: (RA) >90, (RA) >97, (RA) >80	Max. ambient temperature	: 35°C
Chromaticity tolerance	: 3	Ingress protection	: IP40 from optical side
Luminous flux	: max. 2500Lm	Net. weight	: 0.67Kg
Connected load	: max. 18.5W	Warranty	: 5 years
System efficiency	: max. 127Lm/W		
Electrical Safety Class	: Class II		

Go to full specs 

## FENRIR L.



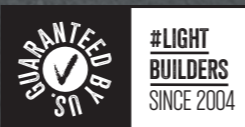
Cut-out	: 140mm x 140mm	Optic	: Facet anodized aluminum reflector 45°
CCT	: 2700K - 5700K	Mains voltage	: 220-240V / 50-60Hz
CRI	: (RA) >90, (RA) >97, (RA) >80	Max. ambient temperature	: 35°C
Chromaticity tolerance	: 3	Ingress protection	: IP40 from optical side
Luminous flux	: max. 4500Lm	Net. weight	: 0.86Kg
Connected load	: max. 38.5W	Warranty	: 5 years
System efficiency	: max. 132Lm/W		
Electrical Safety Class	: Class II		

Go to full specs 

**SQUARELY  
PERFECT.**

The latest technology, combined with an efficient design for the lighting of offices, reception areas and corridors. The light source is deeper in the fixture. This makes a space more luxurious, elegant and part of the whole environment. The fixture is standardly equipped with a clear glass.

# SURFACE LUMINAIRES.



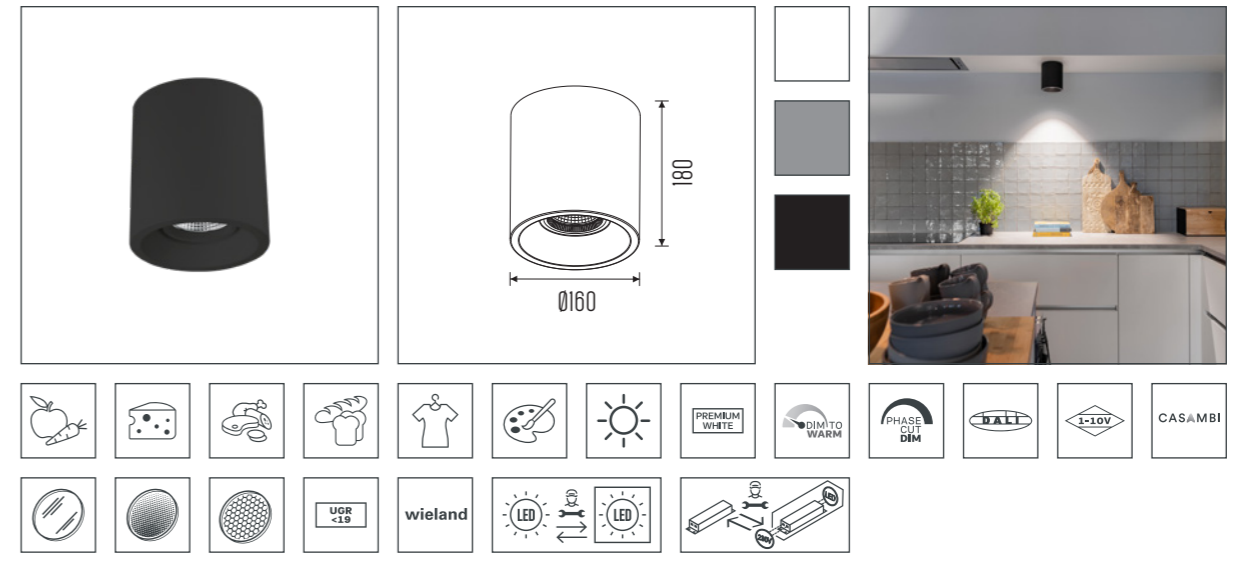
# SKADI SM.



## STANDING OUT IN EVERY WAY.

If a ceiling is not suitable for recessed installation, it's time for Skadi SM. The surfaced version is a great solution for each concrete ceiling, and is often chosen for the illumination of corridors or in-between spaces. Combine Skadi SM with the track and suspended version.

## SKADI 160 SM.

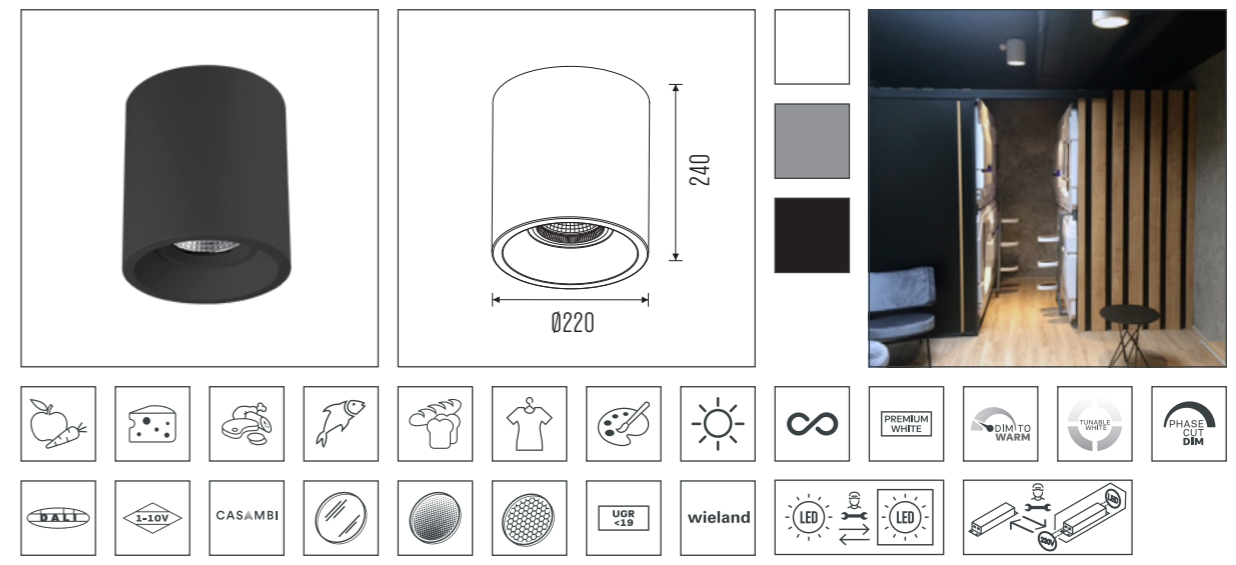


CCT	: 2700K - 5700K	Optic	: Facet anodized aluminum reflector 15°, 30°, 45°, 55°
CRI	: (RA) >90, (RA) >97, (RA) >80	Mains voltage	: 220-240V / 50-60Hz
Chromaticity tolerance	: 3	Max. ambient temperature	: 35°C
Luminous flux	: max. 2500Lm	Ingress protection	: IP20
Connected load	: max. 18.5W	Net. weight	: 1.20Kg
System efficiency	: max. 137Lm/W	Warranty	: 5 years
Electrical Safety Class	: Class I		

[Go to full specs](#)



## SKADI 220 SM.

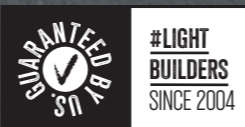


CCT	: 2700K - 5700K	Optic	: Facet anodized aluminum reflector 15°, 30°, 45°, 60°
CRI	: (RA) >90, (RA) >97, (RA) >80	Mains voltage	: 220-240V / 50-60Hz
Chromaticity tolerance	: 3	Max. ambient temperature	: 35°C
Luminous flux	: max. 4500Lm	Ingress protection	: IP20
Connected load	: max. 38.5W	Net. weight	: 1.70Kg
System efficiency	: max. 137Lm/W	Warranty	: 5 years
Electrical Safety Class	: Class I		

[Go to full specs](#)



# PENDANT LUMINAIRES.



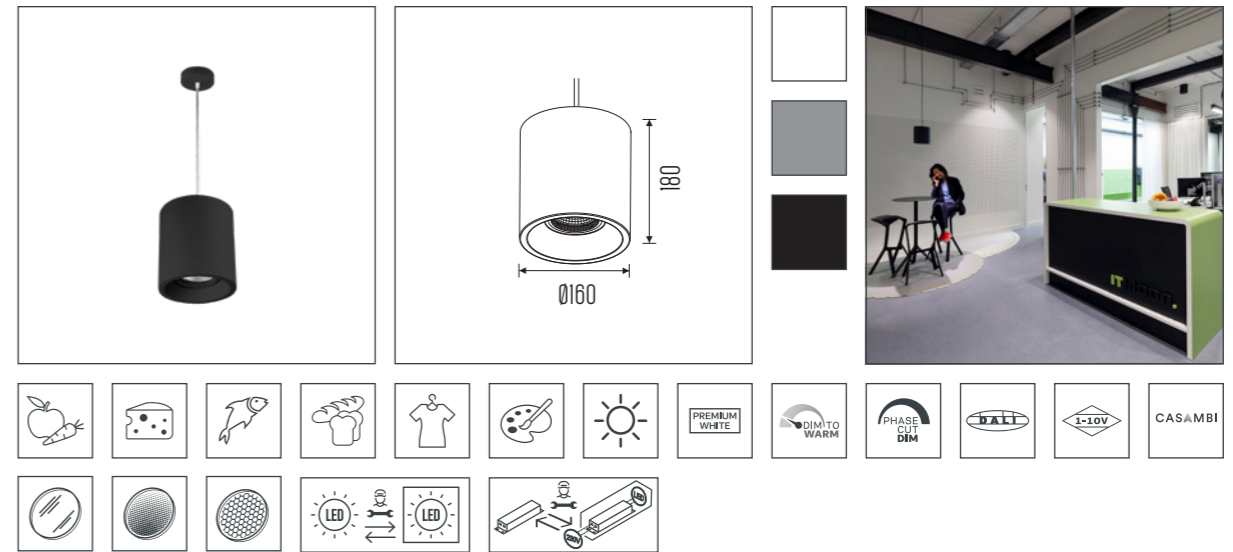
# SKADI PE.



## THE RIGHT AMBIANCE. ANY TIME OF THE DAY.

The pendant version of the surface mounted Skadi downlight adds an elegant touch. Thanks to the wide selection of lighting techniques, light colours (retail colours, spectral LED and infinity LED), optics, accessories and mounting options, Skadi can be used for many different lighting purposes. The dimming and control options, such as dim to warm, tunable white, Casambi and Dali help create the right ambience at any time of the day. Supplied with with a 3m suspension set.

## SKADI 160 PE.

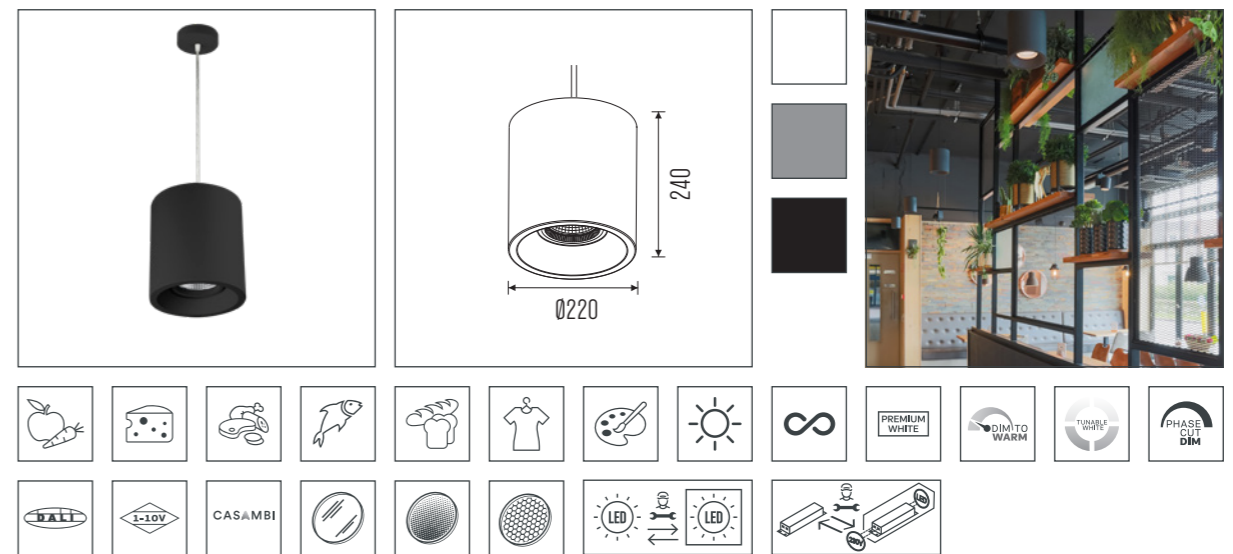


CCT	: 2700K - 5700K	Optic	: Facet anodized aluminum reflector 15°, 30°, 45°, 55°
CRI	: (RA) >90, (RA) >97, (RA) >80	Mains voltage	: 220-240V / 50-60Hz
Chromaticity tolerance	: 3	Max. ambient temperature	: 35°C
Luminous flux	: max. 2500Lm	Ingress protection	: IP20
Connected load	: max. 18.5W	Net. weight	: 1.60Kg
System efficiency	: max. 137Lm/W	Warranty	: 5 years
Electrical Safety Class	: Class I		

Go to full specs



## SKADI 220 PE.



CCT	: 2700K - 5700K	Optic	: Facet anodized aluminum reflector 15°, 30°, 45°, 60°
CRI	: (RA) >90, (RA) >97, (RA) >80	Mains voltage	: 220-240V / 50-60Hz
Chromaticity tolerance	: 3	Max. ambient temperature	: 35°C
Luminous flux	: max. 4500Lm	Ingress protection	: IP20
Connected load	: max. 38.5W	Net. weight	: 2.00Kg
System efficiency	: max. 137Lm/W	Warranty	: 5 years
Electrical Safety Class	: Class I		

Go to full specs



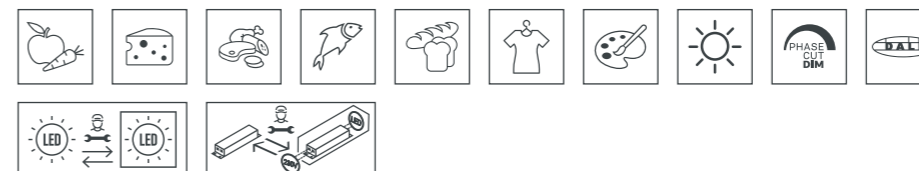
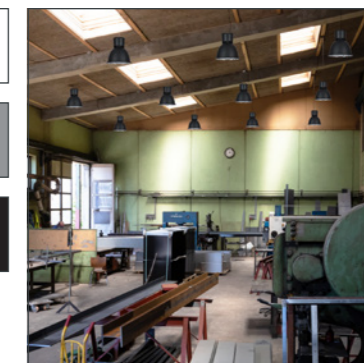
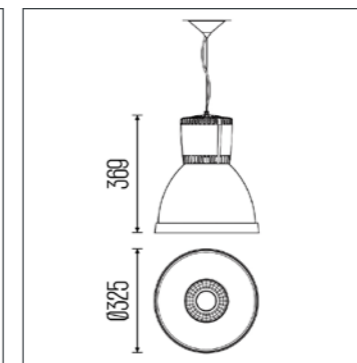
# BRYAN PENDANT.



## ROBUST AND EFFECTIVE.

This robust, industrial pendant luminaire is produced for efficient and high-output accent lighting in retail and showroom settings. Display the colours of your products very accurately by choosing from a wide variety of retail colours or spectral LED. The luminaire can be supplied with a reflector made of aluminium (Ø325mm) or clear polycarbonate (Ø315mm or Ø410mm). Supplied with a 3m suspension set.

## BRYAN PENDANT ALUMINIUM.

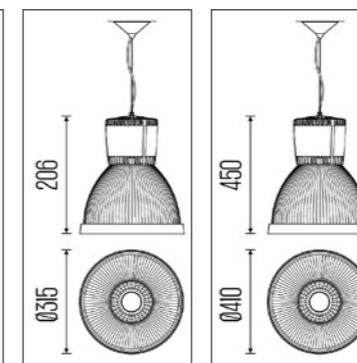


CCT	: 2700K - 5700K	Optic	: Facet anodized aluminum reflector 40°
CRI	: (RA) >90, (RA) >97, (RA) >80	Mains voltage	: 220-240V / 50-60Hz
Chromaticity tolerance	: 3	Max. ambient temperature	: 35°C
Luminous flux	: max. 5600Lm	Ingress protection	: IP20
Connected load	: max. 45W	Net. weight	: 3.20Kg
System efficiency	: max. 135Lm/W	Warranty	: 5 years
Electrical Safety Class	: Class I		

[Go to full specs](#)



## BRYAN PENDANT CLEAR POLYCARBONATE.

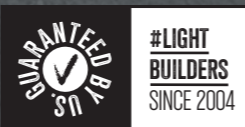


CCT	: 2700K - 5700K	Optic	: Facet anodized aluminum reflector 40°
CRI	: (RA) >90, (RA) >97, (RA) >80	Mains voltage	: 220-240V / 50-60Hz
Chromaticity tolerance	: 3	Max. ambient temperature	: 35°C
Luminous flux	: max. 5600Lm	Ingress protection	: IP20
Connected load	: max. 45W	Net. weight	: 3.20Kg
System efficiency	: max. 135Lm/W	Warranty	: 5 years
Electrical Safety Class	: Class I		

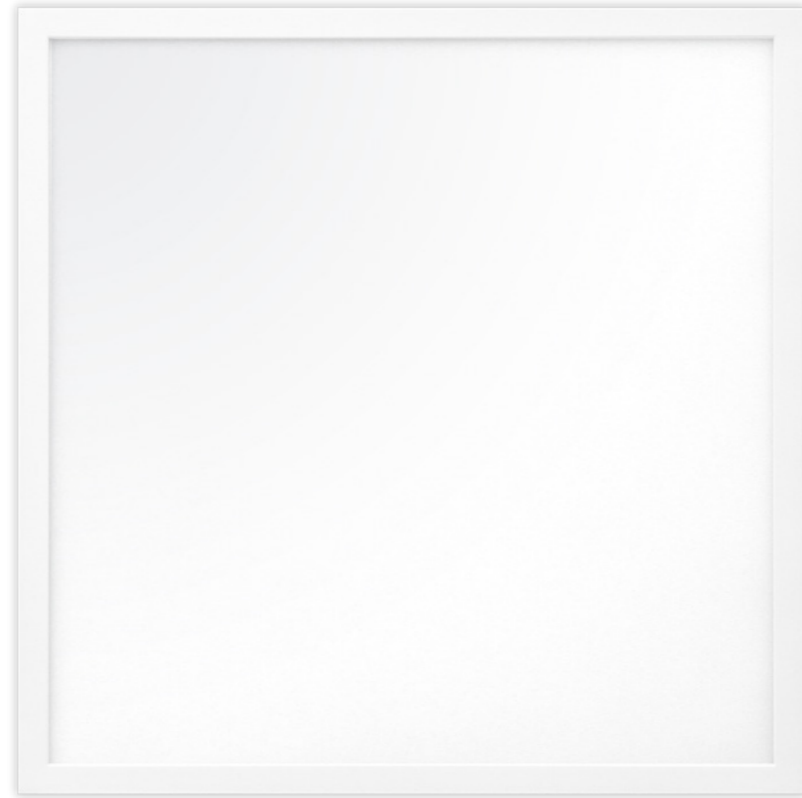
[Go to full specs](#)



# LED PANELS & ACCESSORIES.



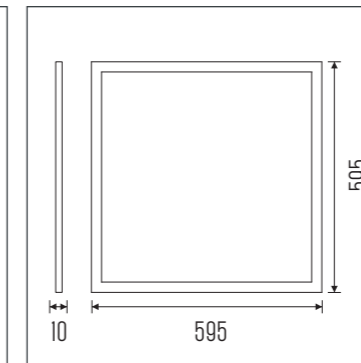
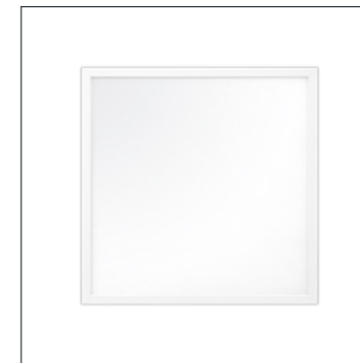
# CHALLENGE.



## FULL FOCUS. ALWAYS AND EVERYWHERE.

The most universal luminaire, with UGR <19, for recessed, surfaced or suspended installation.  
The Challenge provides the most uniform illumination in offices, showrooms, workshops, classrooms, conference rooms and lobbies.

### CHALLENGE 60X60.

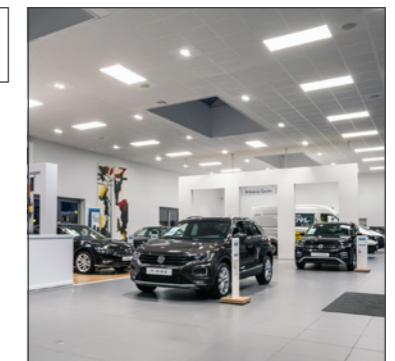
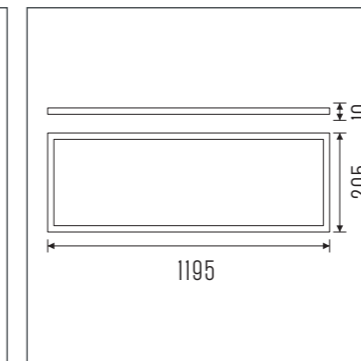
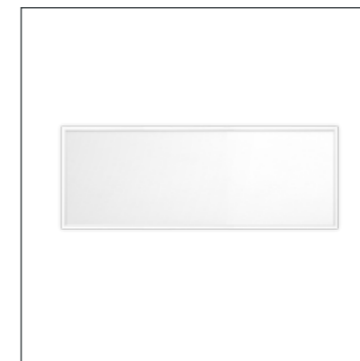


CCT	: 3000K - 4000K	Optic	: Microprismatic Diffuser 90°
CRI	: (RA) >80	Mains voltage	: 220-240V / 50-60Hz
Chromaticity tolerance	: 5	Max. ambient temperature	: 35°C
Luminous flux	: max. 3600Lm	Ingress protection	: IP20
Connected load	: 36W	Net. weight	: 3.10Kg
System efficiency	: max. 100Lm/W	Warranty	: 5 years
Electrical Safety Class	: Class II		

[Go to full specs](#)



### CHALLENGE 120X30.



CCT	: 3000K - 4000K	Optic	: Microprismatic Diffuser 90°
CRI	: (RA) >80	Mains voltage	: 220-240V / 50-60Hz
Chromaticity tolerance	: 5	Max. ambient temperature	: 35°C
Luminous flux	: max. 3600Lm	Ingress protection	: IP20
Connected load	: 36W	Net. weight	: 3.20Kg
System efficiency	: max. 100Lm/W	Warranty	: 5 years
Electrical Safety Class	: Class II		

[Go to full specs](#)





# CHALLENGE. ACCESSORIES



## CHALLENGE SUSPENSION SET.



Suspension set for Challenge.



## CHALLENGE 60X60 SURFACE MOUNTED FRAME.



Surface mounted frame for Challenge 60x60. Frame dimensions: 602x602x50mm.



## CHALLENGE 120X30 SURFACE MOUNTED FRAME.



Surface mounted frame for Challenge 120x30. Frame dimensions: 1202x302x50mm.



# DISTRIBUTOR.

LIGHT4U IS DISTRIBUTOR OF LEADING, QUALITY BRANDS  
NORDIC ALUMINIUM AND LIVAL.

NORDIC ALUMINIUM

LIVAL

Are you interested in Nordic Aluminium rail systems  
and LIVAL fixtures? Please contact us for more information  
and brochures.

Download Nordic catalogue:



Go to LIVAL website:



# WITH THANKS TO.

WE ARE PROUD OF THE WAY WE WORK WITH OUR CUSTOMERS ON A DAILY BASIS. WITHOUT YOU,  
WE CANNOT EXCEL. THIS PRODUCT CATALOGUE CONTAINS PHOTOS OF WONDERFUL LIGHTING  
PROJECTS THAT WE HAVE CREATED TOGETHER.


We would like to thank the following partners for sharing their images with us:

► **ALC PROJECTVERLICHTING** Drachten, The Netherlands Projects: *Boekhandel Bergum*, page 41 ► **BEDRIJFSVERLICHTING.NL** Utrecht, The Netherlands Projects: *Elevate Digital*, Utrecht, page 77, *Lubro*, Utrecht/Home Factory/photography *Art of Living*, *Jurrit van der Waal*, page 19, *SMD*, Breda, page 45, *Twinsz – ijs & Zo*, Berkel-Enschot, page 29, *Van Harten*, Amersfoort, page 53, *Verhage*, Vleuten, photography *Bianca Wesselius*, page 71, *Wise Guys*, Amsterdam, page 47, *Lobelia Bloemenhuis* Hilversum, photography *Bianca Wesselius* - *Way2Style* page 39 ► **BOX LIGHTING** Oudewater, The Netherlands Project: *At the Office*, page 63 ► **D&A LICHT** Nijverdal, The Netherlands Projects: *ITWoon Enschede (Performance Factory)*, page 71, *Profimex Rijssen*, page 31 ► **DE LICHTADVISEURS** Drachten, The Netherlands Projects: *BabyPlanet*, Drachten, page 29, *Bakkerij Bart*, Groningen, page 57, *Johan Hemrica*, Leeuwarden, page 23, *NUON*, Leeuwarden, page 53, *Rinsma*, Gorredijk, page 51 ► **KSL STUDIO** Ljubljana, Slovenia Projects: *Boštjan Hotel Central*, page 67, *Slovenian Parliament*, page 57 ► **LEDPROFES** Prague, Czech Republic Projects: *GAP\_Forum Nova Karolina*, page 20 ► **MAAS EN HAGOORT** Kapelle, The Netherlands Projects: *Sturris schoenen en podologie*, Yerseke, page 39, *Vitalis college*, Breda/by *Slakker Bouwgroep/photography Riesjard Schropp*, page 54 ► **MICRO-LIGHT** Hasbergen, Germany Project: *Bakery Germany*, page 51 ► **SIELIGHT** Metamorfozi, Greece Project: *Office Athens*, page 25 ► **TRANSELEC-GROUP/AIRECO-TECH S.P.R.L.** Nivelles, Belgium Project: *Heytens*, Belgium, page 18 ► **UTILICHT** Weert, The Netherlands Projects: *2theloo Berchem*, page 54, *Brugman Keukens*, page 37 and page 40, *Morres Wonen*, page 46, *Satink Keukens*, page 37, *Stichting Zes / photography Ilse Withagen Interieurarchitectuur*, page 67.

If you would also like to share your project photos with us, we would greatly appreciate it.  
Please send your images to our marketing department, at [info@light4u.io](mailto:info@light4u.io). We would be happy  
to share them with lighting professionals all around the world.

Need some expert advice? Just get in touch with us.  
Our experienced consultants are ready to join your  
team at any time. Together, we'll take your project  
to the highest level.

# CONTACT.

 **Light4U** Sneekerveer 4a  
8502 TP Joure, The Netherlands

 [info@light4u.io](mailto:info@light4u.io)

 +31 513 41 70 90

 [light4u.io](https://light4u.io)



